

FERMAX

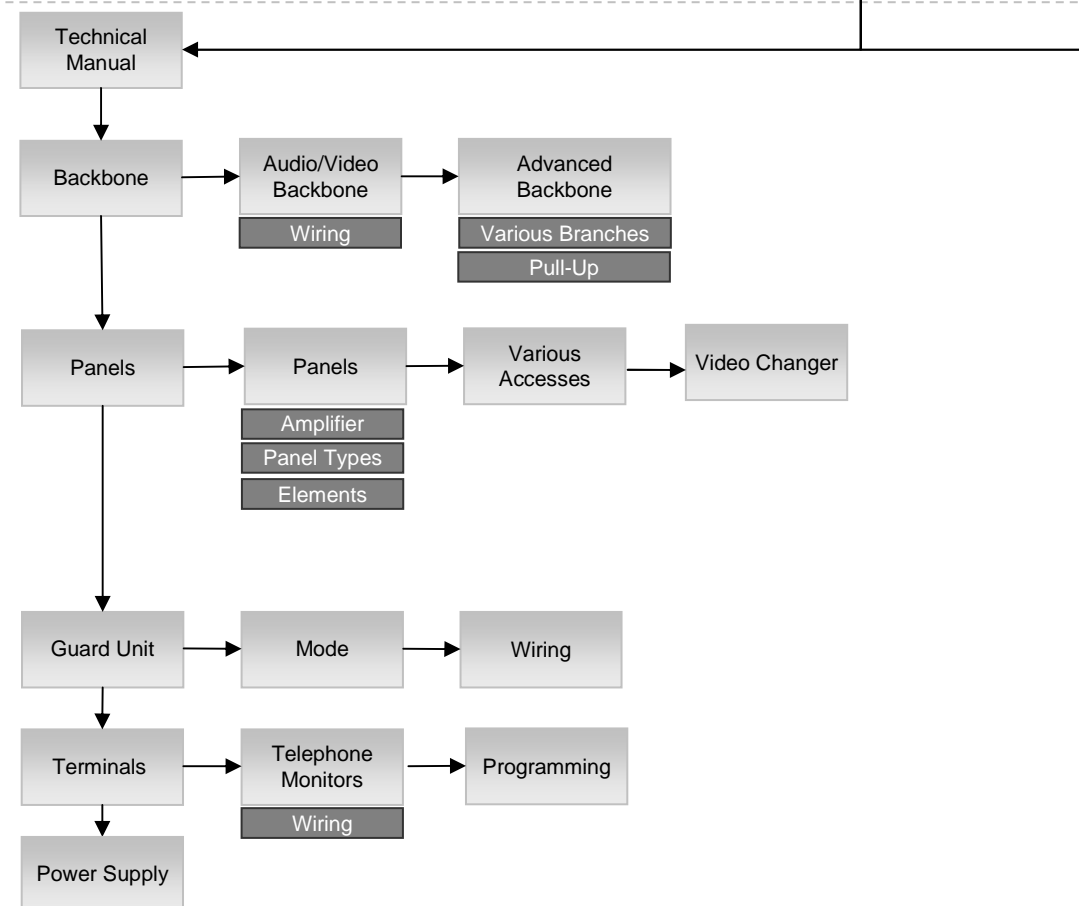
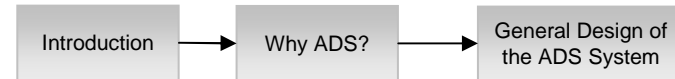
ADS

January 2008 Edition

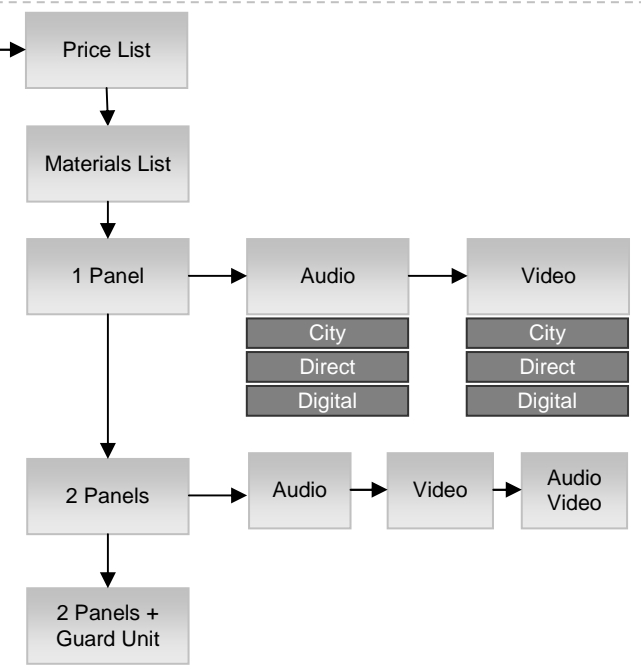
FERMAX
WWW.FERMAX.COM

VALENCIA • MADRID • BARCELONA • ALICANTE • MALAGA • BILBAO • A CORUÑA • PARIS • LONDON • SHANGHAI • BEIJING •
NEW DELHI • SINGAPORE • MOSCOW • WARSAW • MIAMI • MEXICO CITY • BOGOTA • HO CHI MINH • MANAMA • DUBAI • BRATISLAVA

Course Structure



Technical



Commercial

Why ADS?

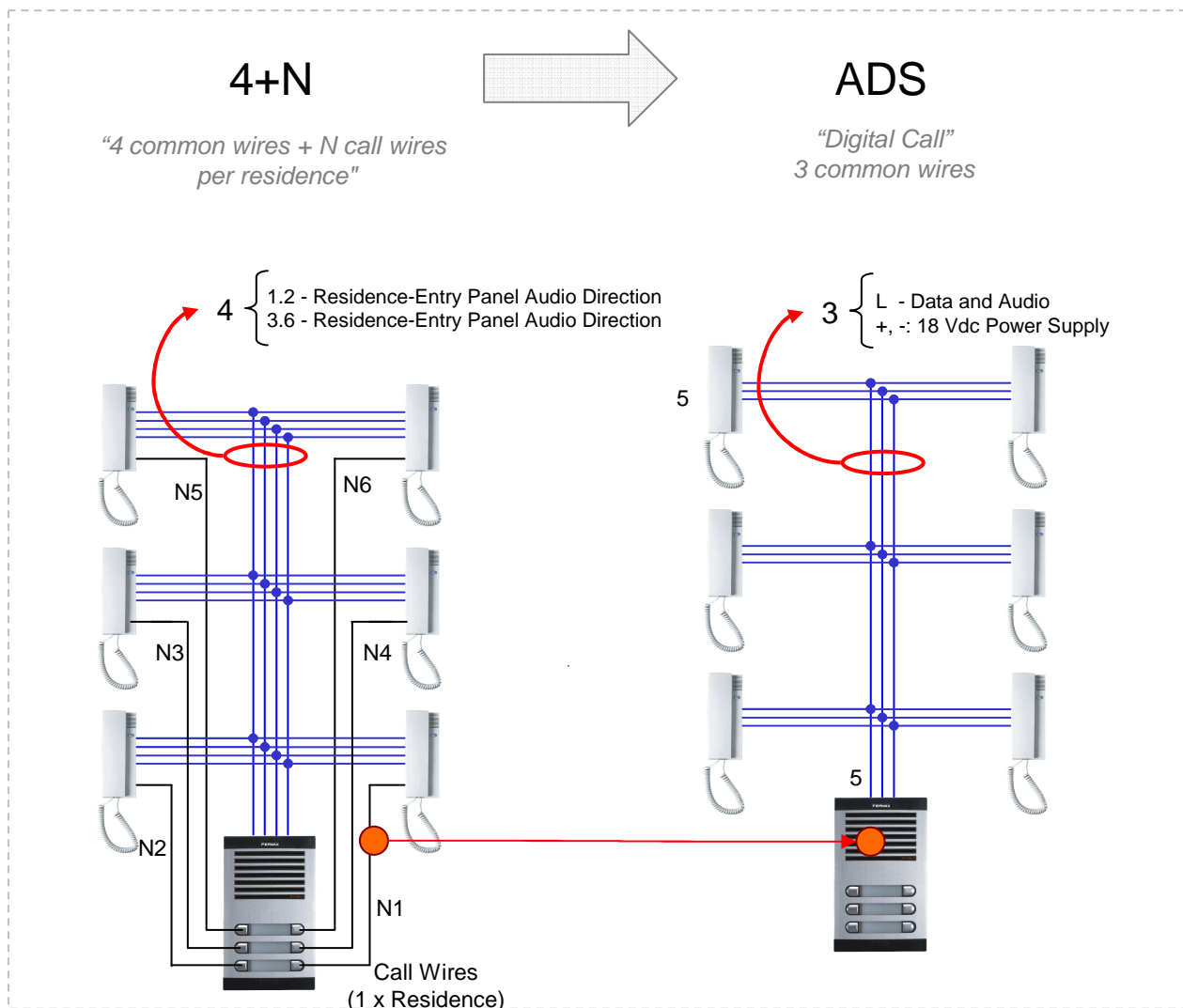
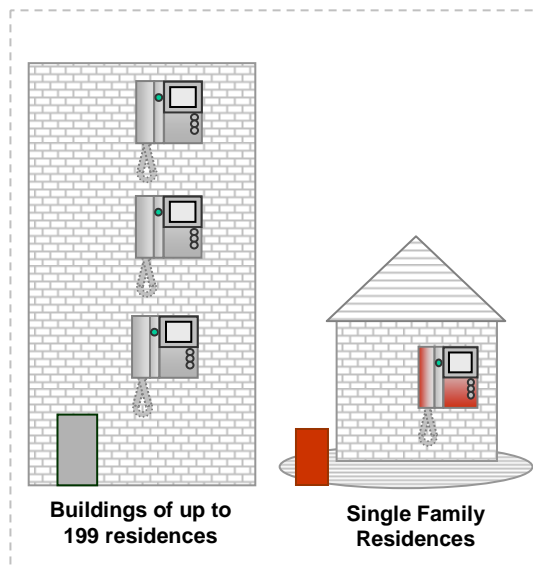
ADS System

The ADS system is an easily installed door entry and video door entry system.

One of its unique features is the fact that it does not use call wires (4+N system), reducing the number of wires in the system.

The call is made by transmitting a digital call code via the ADS amplifier.

An ideal system for residential buildings (individual blocks) and single family residences:



Main Features

Features

- Up to 199 residences.
- Up to 2 door entry/video door entry accesses + Central Guard Unit.
- Auto-Start.
- Secret Conversation (1 communication channel).
- Programming the door opening time.
- Access control via keypad and proximity reader (on panels with keypads).

Installation

- Audio: 3 wire bus.
- Video: 3 wire bus + coaxial cable (video).
- Maximum distance from the first access point to last residence: 200 m.

Operation

- Panels: with buttons, keypad or keypad with display and electronic directory.
- Panels with keypad: access control via keypad or with auxiliary proximity lector.
- Terminals: ADS telephone and monitors.

Flexibility

- Simple extension to residential terminals.
- Extension to MDS-ADS system (enclosed areas: general entrances to one of various ADS blocks).

Programming

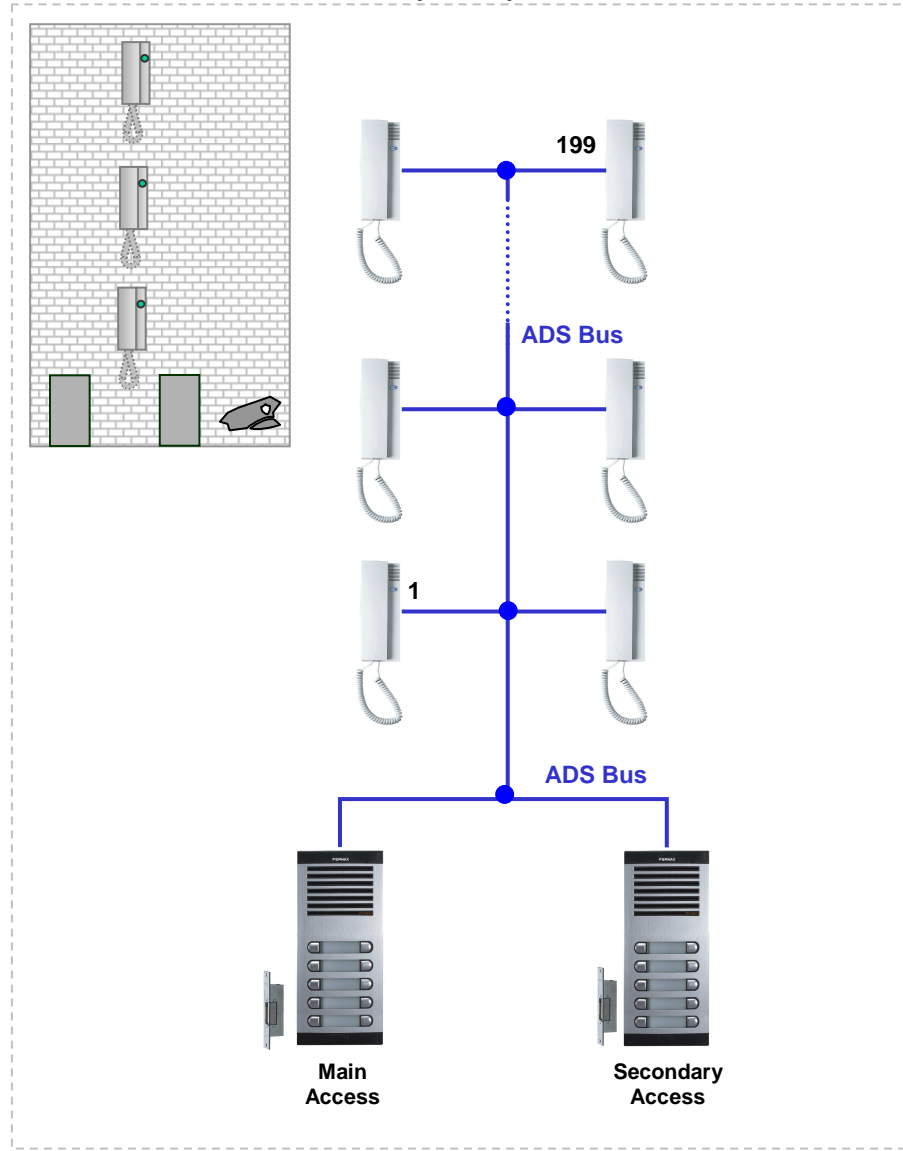
- The residential terminals require simple programming via the entry panel.
- A call code is assigned to each terminal using this programming method.

General Design of the ADS System

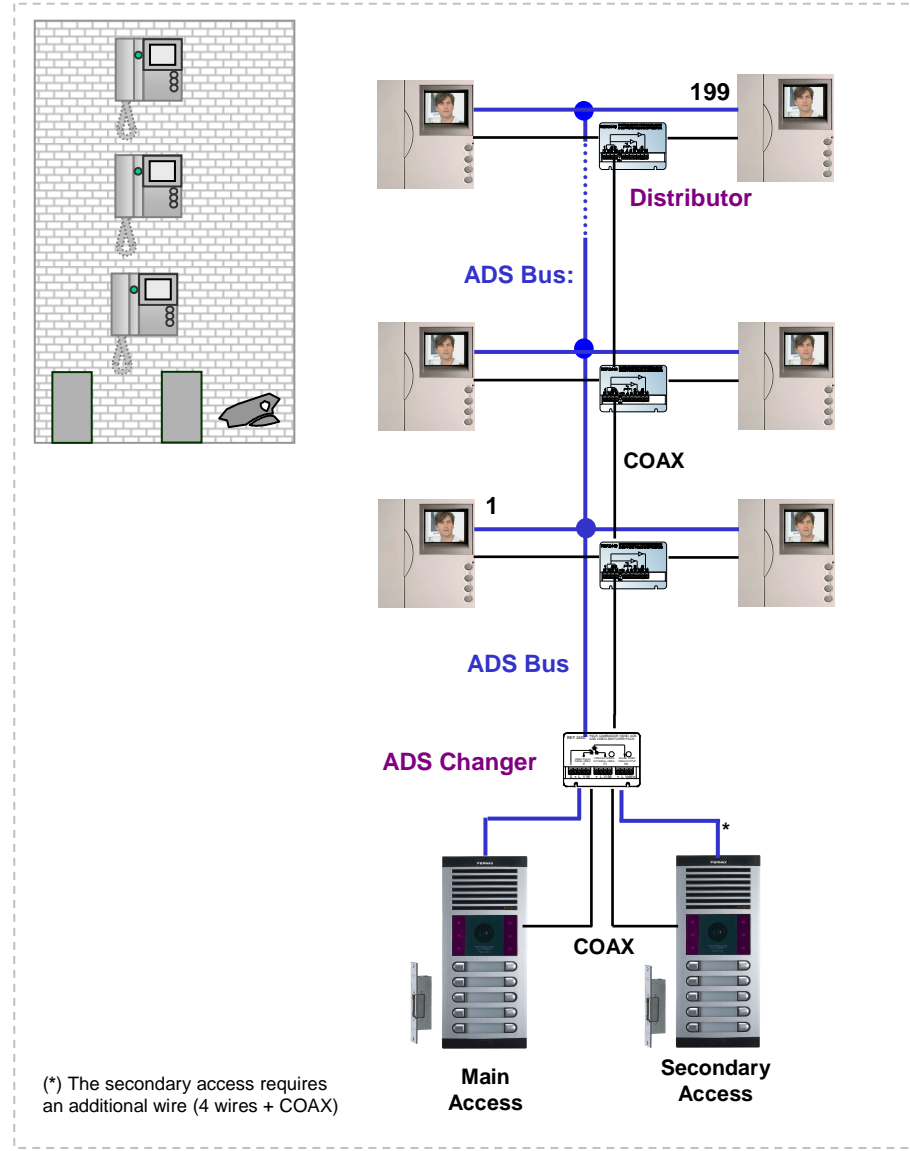
General Design of the ADS System

ADS system |

AUDIO Installation: 3 wires (+, -, L)



VIDEO Installation: 3 wires + coaxial (+, -, L, V,M)

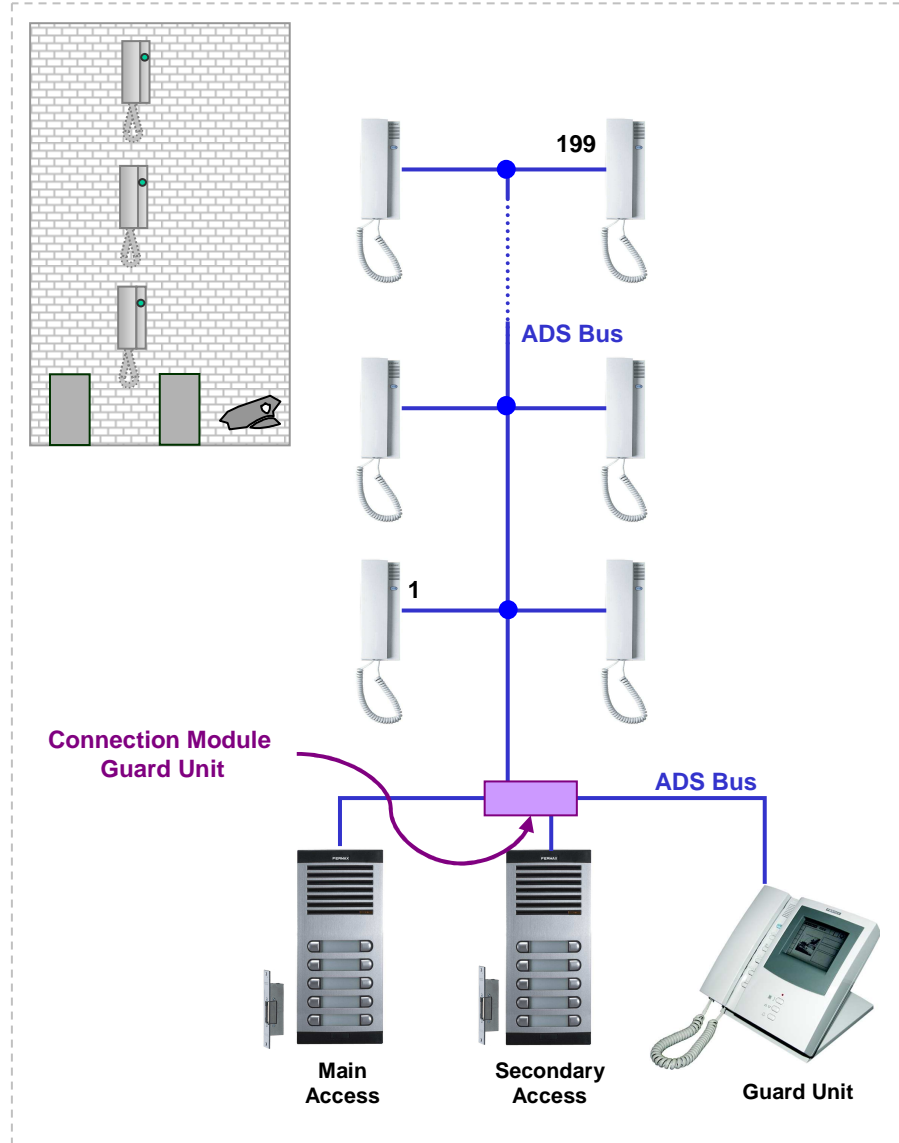


(*) The secondary access requires an additional wire (4 wires + COAX)

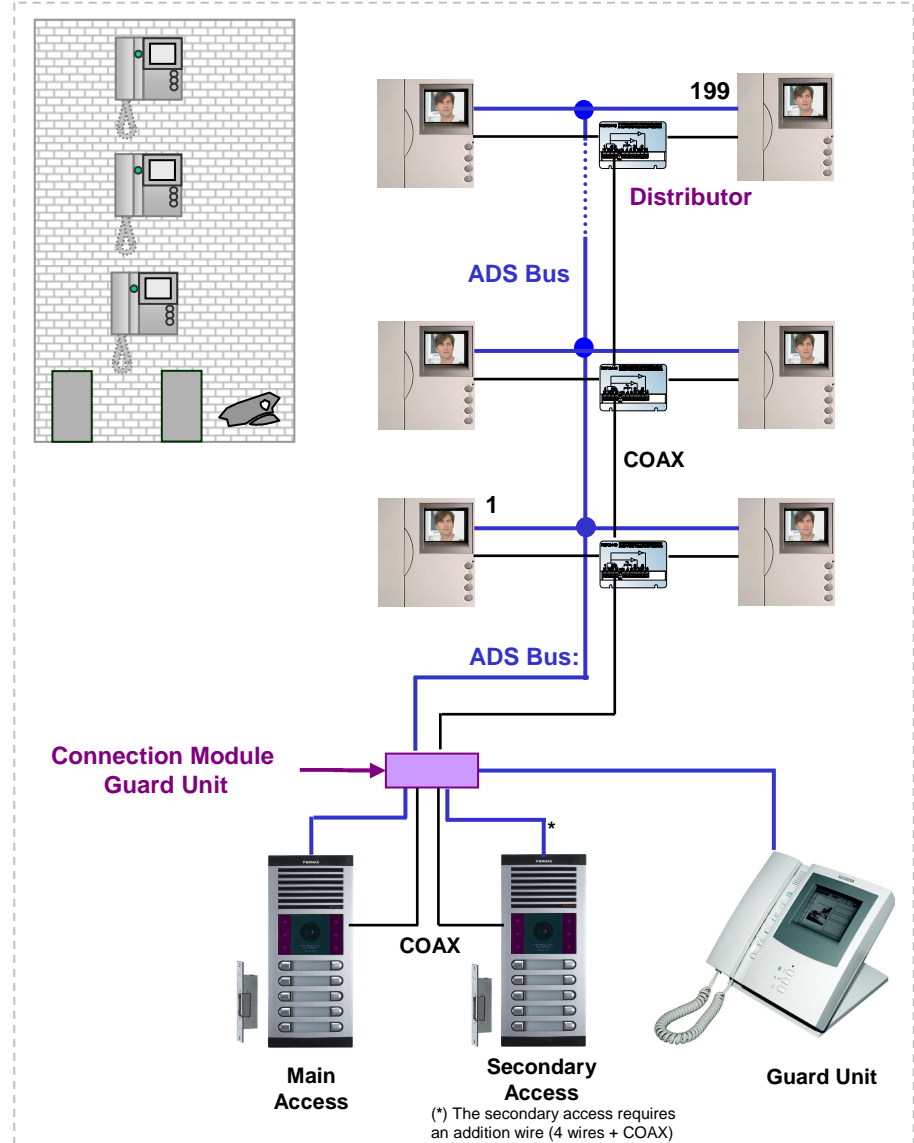
General Design of the ADS System

ADS system

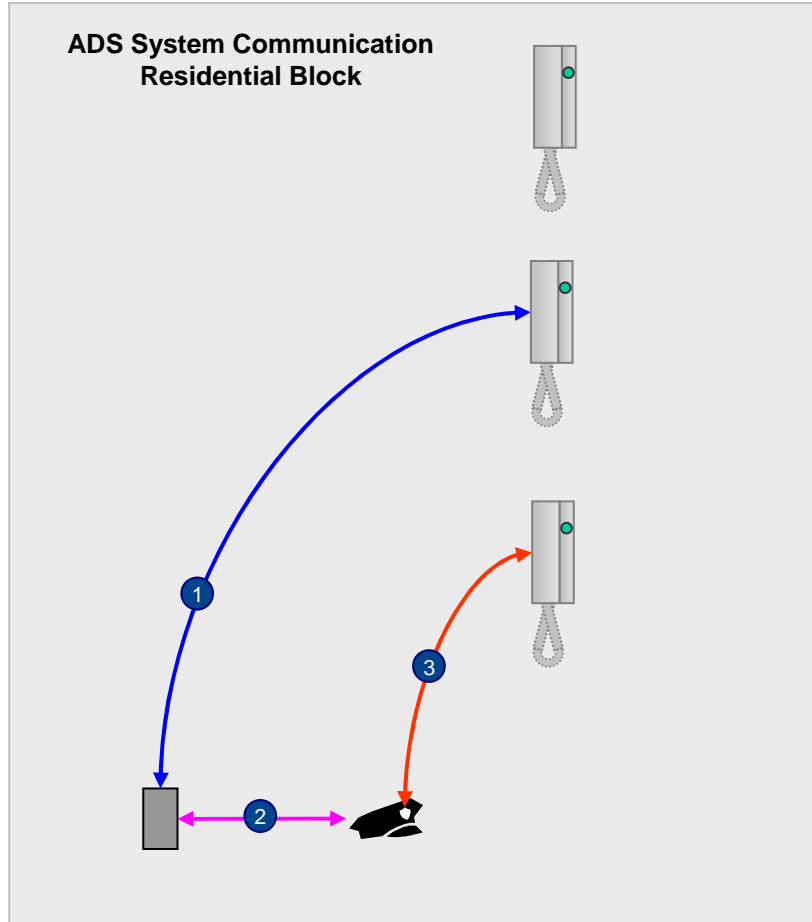
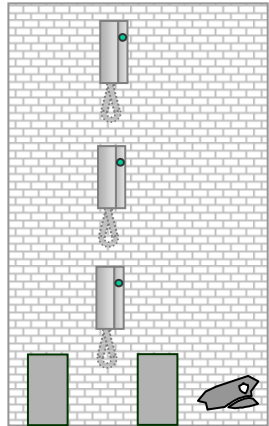
AUDIO + Guard Unit Installation



VIDEO + Guard Unit Installation



Communication Available



- 1 Entry Panel - Residence
- 2 Guard Unit - Residence
- 3 Entry Panel - Guard Unit

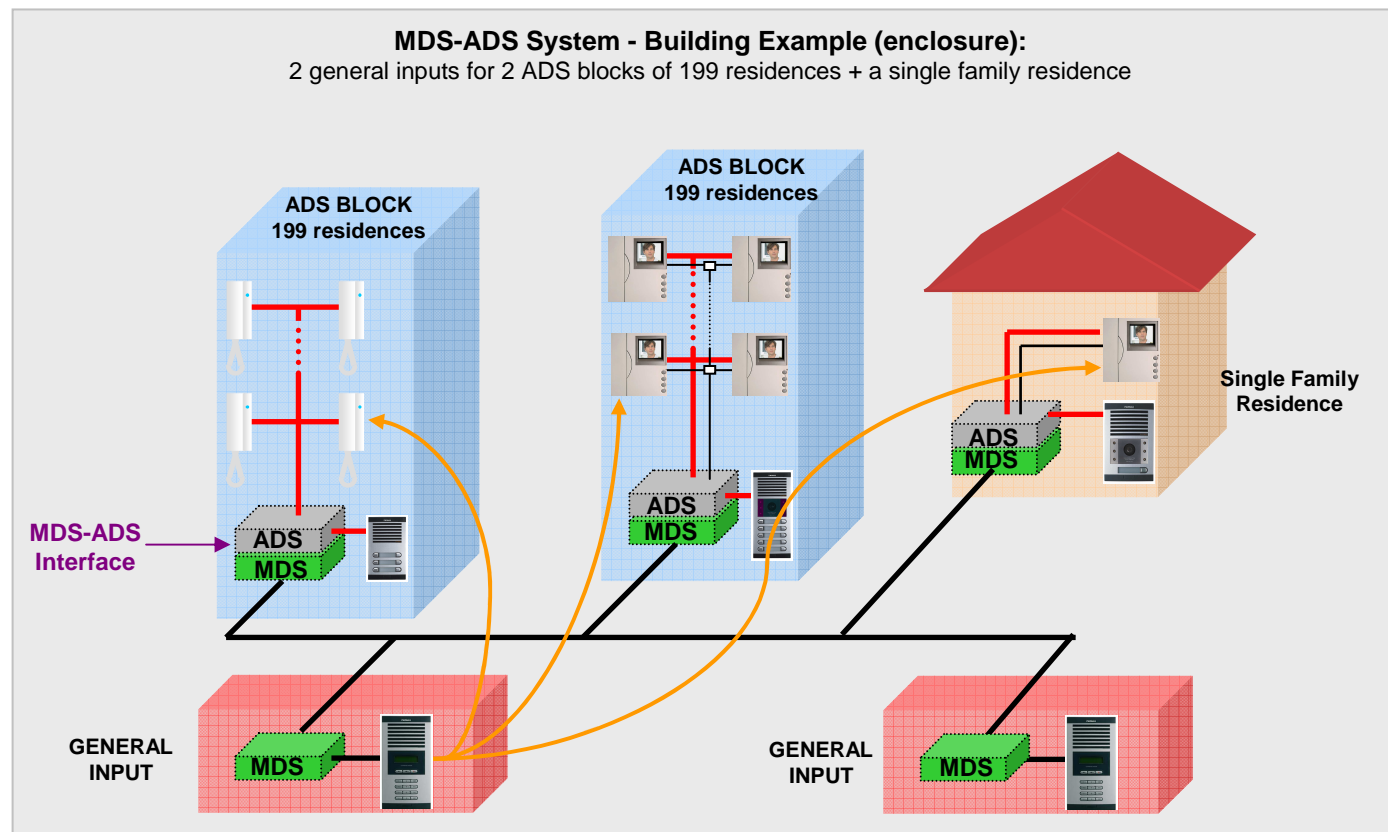
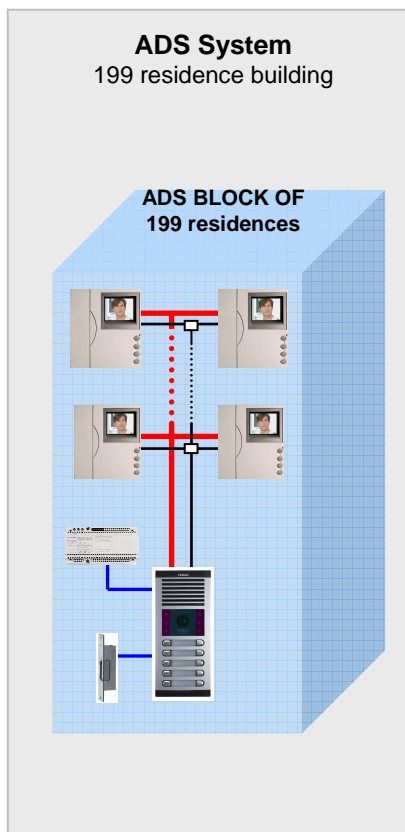
Extensions with MDS Systems

ADS System:

- Individual residential block or single family residences
- Maximum 2 accesses + guard unit.

MDS-ADS System:

- Multiple ADS Blocks or Single Family Residence Enclosures
- Multiple "General Inputs" for all blocks.



Technical Manual

Programación de Teléfonos ADS con «Botón de Programación»

1. Con el teléfono pulsado.
2. Pulsar el botón de programación.
3. Colocar el teléfono en la línea de llamada.

Otros Componentes básicos de Instalaciones ADS

Cambiador ADS
En instalaciones de dos accesos de videopuerta se requiere la utilización de un cambiador ADS ref. 2450. No es necesario en instalaciones en las que alguno de los accesos sea sólo de audio.

Conserjería ADS

Los sistemas ADS pueden ser completados con una CENTRAL DE CONSERJERIA ADS, de montaje submesa o pared (formato monitor).

Descripción Controles

- Display: Ofrece diversa información durante el manejo de la Central de Conserjería.
- Tactas de control de cola de llamadas: Controlación sobre la cola de llamadas de placas y/o de

Modos de funcionamiento

Las características de los distintos modos de funcionamiento para edificaciones con una sola Central de Conserjería son:

MODO DÍA
La Central de Conserjería puede llamar y recibir llamadas de los teléfonos.
* Las placas de calle no pueden llamar directamente a los teléfonos.
* Las llamadas desde placa de calle hasta los teléfonos son interceptadas por la Central de Conserjería, que puede transferirlas al teléfono llamado o a cualquier otro.

Módulo Extensión de Llamadas

La principal ventaja que tiene una placa ADS es la de que no utiliza hilos de llamada. Esto es posible gracias a que la llamada se efectúa mediante la transmisión de un código digital, generado por el propio amplificador. Al pulsar un determinado botón de llamada, este código es enviado a través de la línea de datos L+ que, al ser un hilo común, llega a todos los monitores o teléfonos. Solo el terminal que ha sido previamente programado con dicho código lo reconoce, generando entonces una señal de llamada.

Evidentemente, será preciso, tras la puesta en marcha, programar cada uno de los monitores o teléfonos con su código de llamada correspondiente. Esto se hace de una manera muy sencilla, tal y como se muestra en las fichas de cada monitor y teléfono.

En placas de pulsadores City, para la generación del código específico de cada una de las llamadas se utiliza uno o más Módulos Extensión de Llamadas (uno cada 16 pulsadores). Este módulo traduce la pulsación de cada botón de la placa en un código de llamada ADS. (Ver esquemas de conexión del módulo de extensión de llamadas).

Las placas City de 1 a 3 pulsadores no requieren la instalación del módulo de extensión de llamadas (ver esquemas de precableado de placas).

Conexión del Módulo Extensión de Llamadas en Placas ADS City

Placa audio ADS CITY

En el caso en que se necesite cubrir mayor cantidad de pulsadores, pueden utilizarse dos o más módulos, hasta el total de las 199 viviendas que admite el sistema ADS.

Al amplificador ADS
Pulsadores hasta el nº 16
Pulsadores nº 17 en adelante

Placas ADS Citymax

Las placas ADS Citymax se caracterizan por disponer de:

- Módulo amplificador ADS:** módulo independiente que gestiona todas las funciones de la instalación ADS (llamada, comunicación en ambos sentidos, apertura de puerta, programación...).
- Módulos de Pulsadores:** Con estos módulos no es necesario el módulo de extensión de llamadas. Los propios módulos de pulsadores generan el código de llamada ADS. Los módulos de llamada están disponibles de 1 a 6 pulsadores.
- La llamada a la vivienda se efectúa mediante la pulsación del correspondiente botón de llamada asignado a la vivienda.
- Módulo de telecámara (bin o color)** (necesario solo para instalaciones de videopuerta) o módulo visor (opcional).
- Programación Tiempo de Abrepuertas:** Si se dispone de un teclado es posible programar el tiempo de abrepuertas entre 1 y 99 segundos (Ver sección placas ADS Direct).

Tipología de las Placas ADS Citymax

Las placas ADS CITYMAX forman la línea de placas de calle de perfil continuo y composición modular de FERMAX. Su diseño y características son similares a las placas CityLine pero se diferencian de estas últimas en aspectos prácticos que afectan a su composición y montaje.

El montaje de la placa es muy sencillo. Simplemente hay que elegir la combinación de módulos y encajarlos en los marcos.

Todos sus accesorios son compatibles.

- Placas Citymax:** Necesarias para la inserción del módulo amplificador de cámara y de pulsadores. Los cuatro modelos de placas coinciden con las series 3, 5, 7 y 8 de las placas CityLine.
- Módulo cámara**
- Módulo amplificador Citymax ADS:** Incluye cable de conexión al primer módulo de pulsadores.
- Módulos de pulsadores:** Con estos módulos no es necesario el módulo de extensión de llamadas, lo que reduce considerablemente el coste de la instalación. Se preparan con cable de interconexión al módulo siguiente.
- Cable de conexión de placas ADS:** Necesario para interconectar múltiples placas. Se conecta entre la salida del último módulo de la primera placa y el primer de la siguiente placa.

FERMAX edits *Technical Manuals* for each system, which allow the user the possibility to obtain an in-depth knowledge of the system's features and abilities.

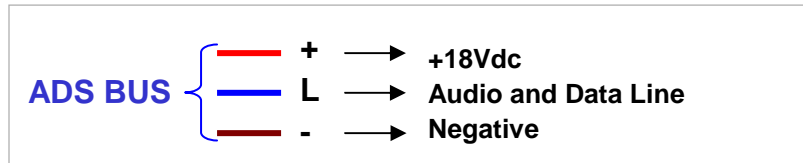
The Technical Manuals include detailed installation plans.

Available in electronic format (pdf) and in hard copy.

ADS System Backbone

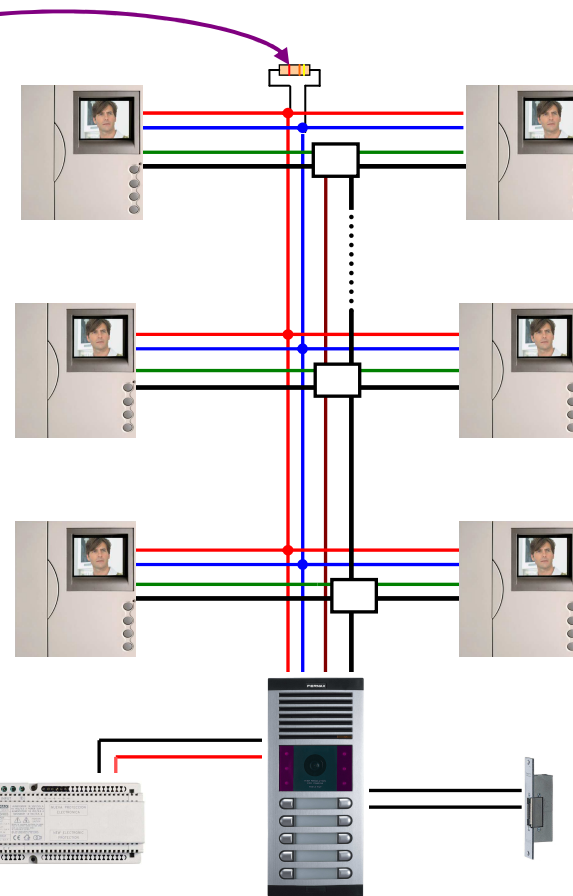
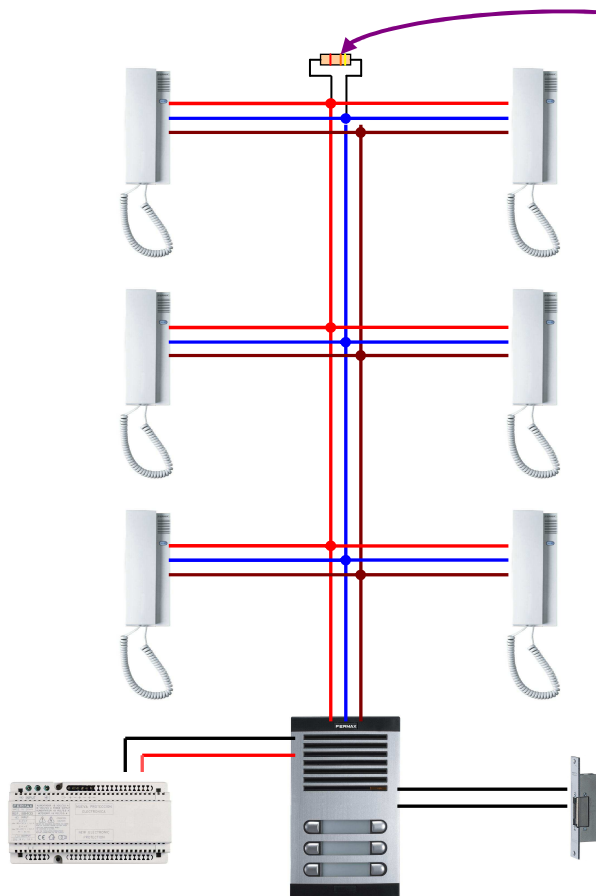
AUDIO BACKBONE: 3 wires (+, -, L)

VIDEO BACKBONE: 3 wires + coaxial (+, -, L, V,M)

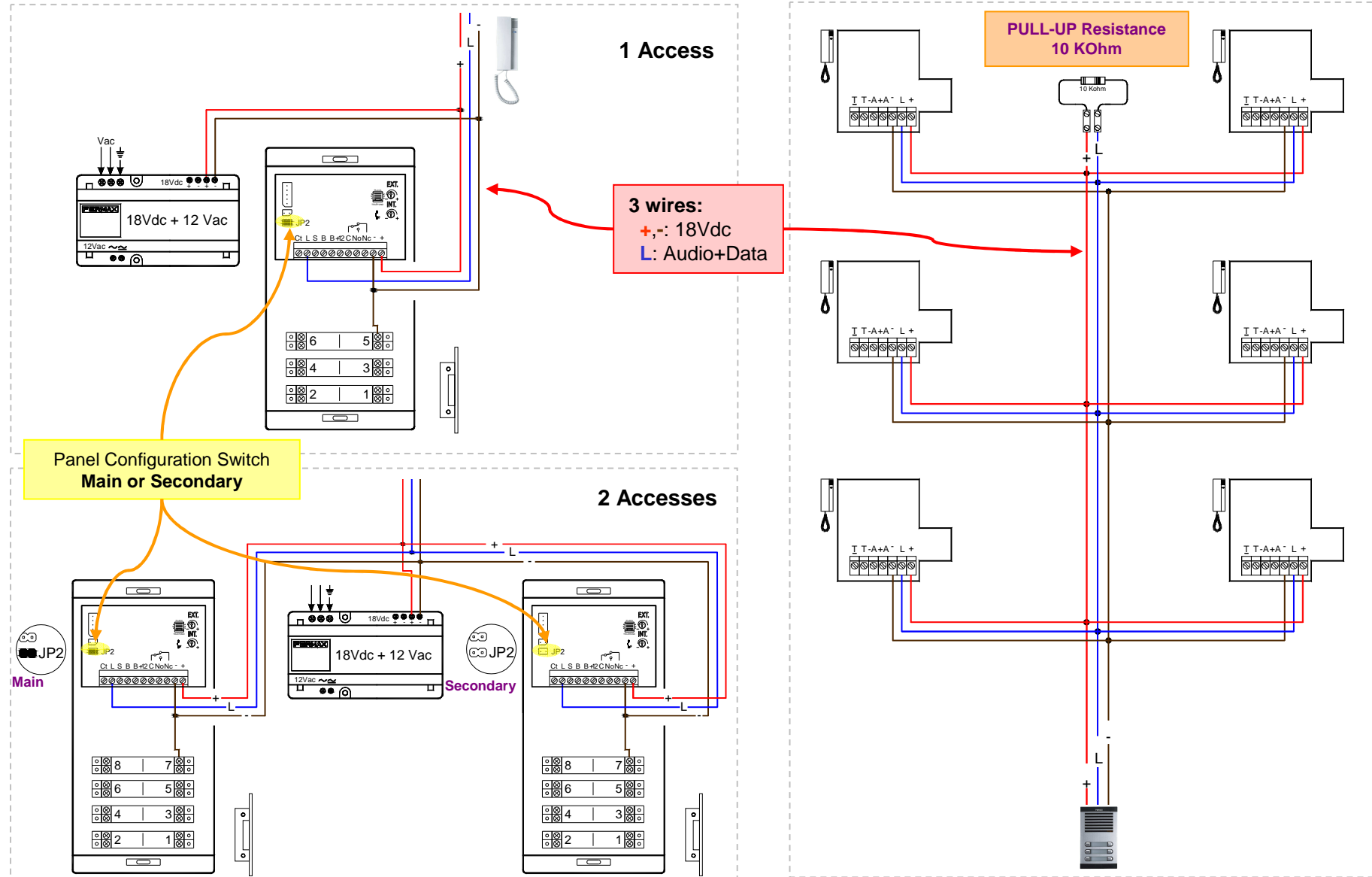


+

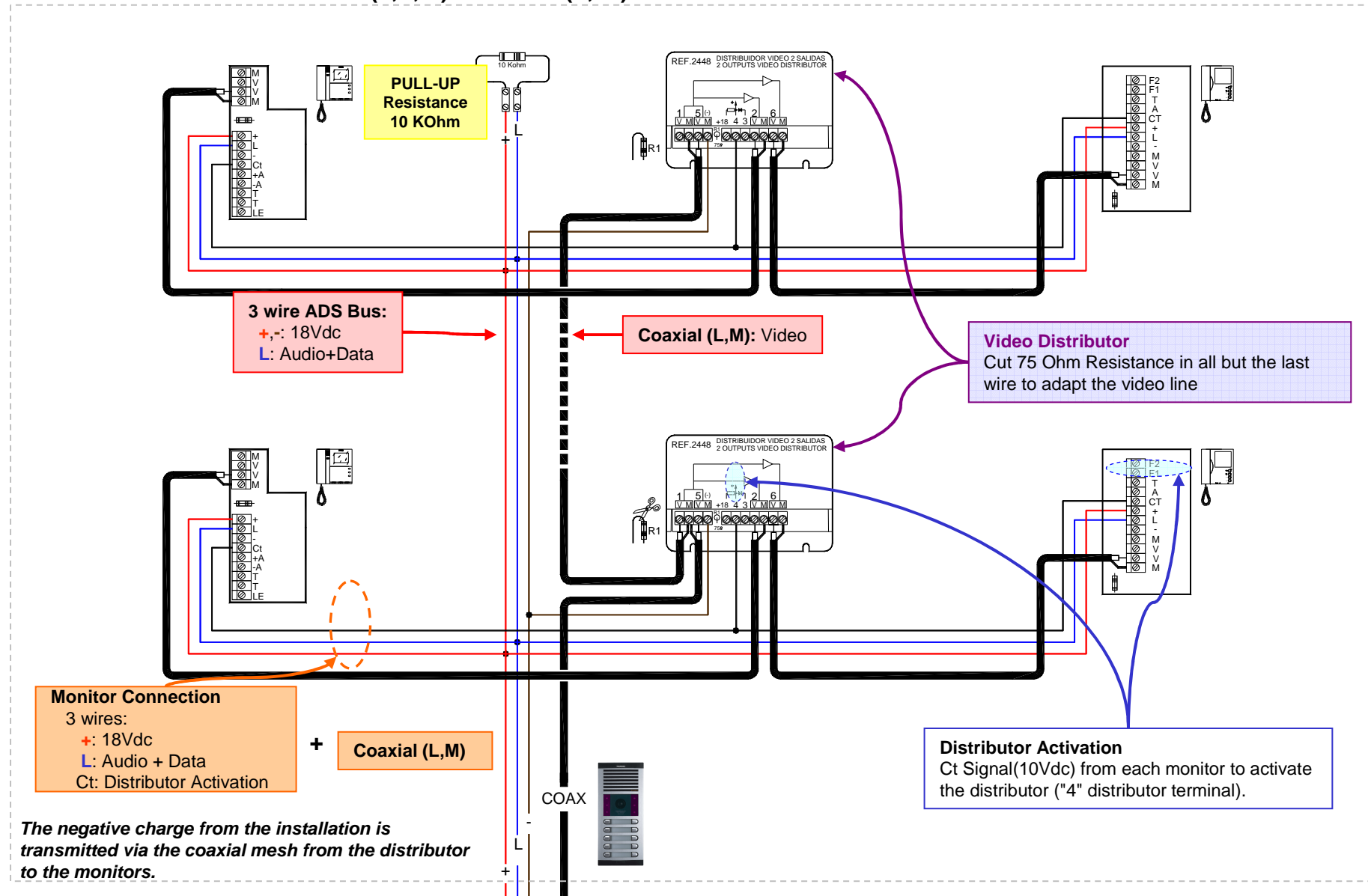
PULL-UP Resistance 10 KOhm



AUDIO BACKBONE: 3 wire BUS (+, -, L)



VIDEO BACKBONE: 3 wire BUS (+, -, L) + coaxial (L, M)



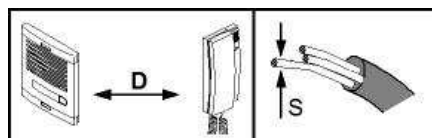
ADS BUS Features

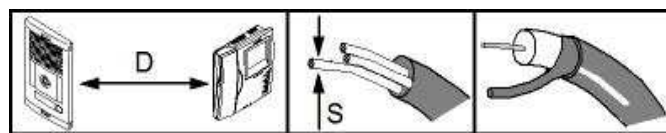
Distribution across various branches

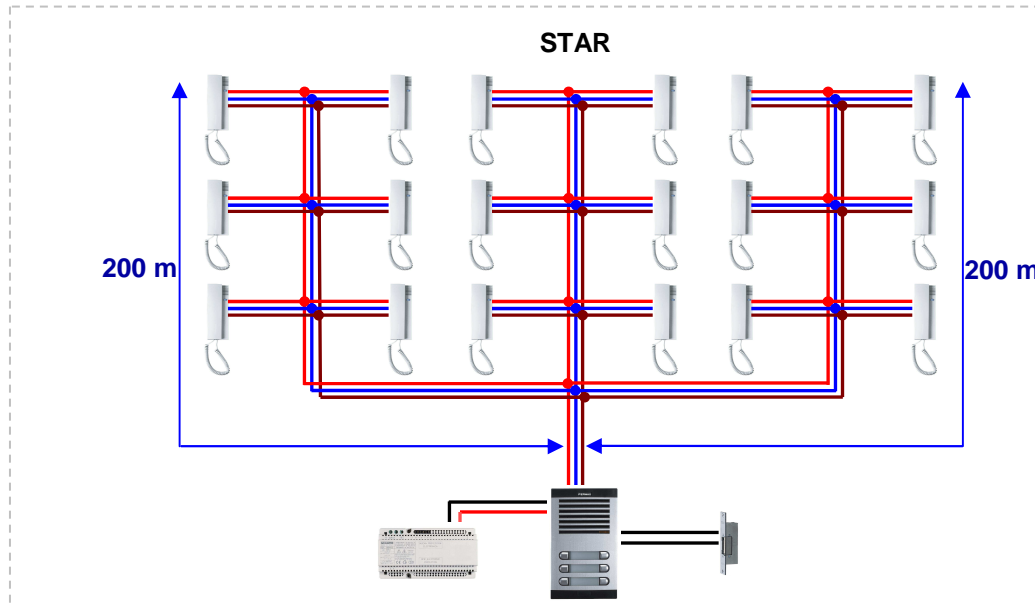
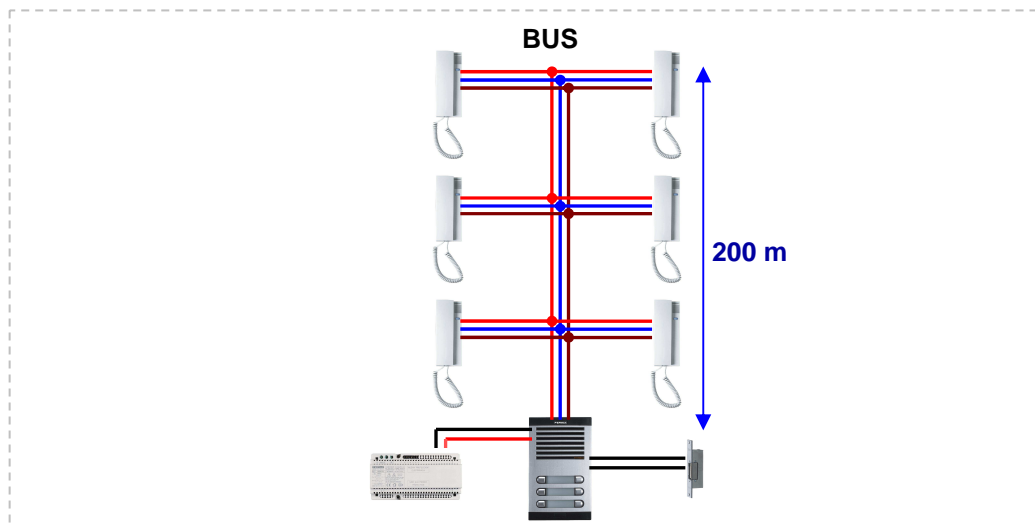
- Bus installation is recommended
- In star connections with a maximum of 4 branches

Distances and Sections

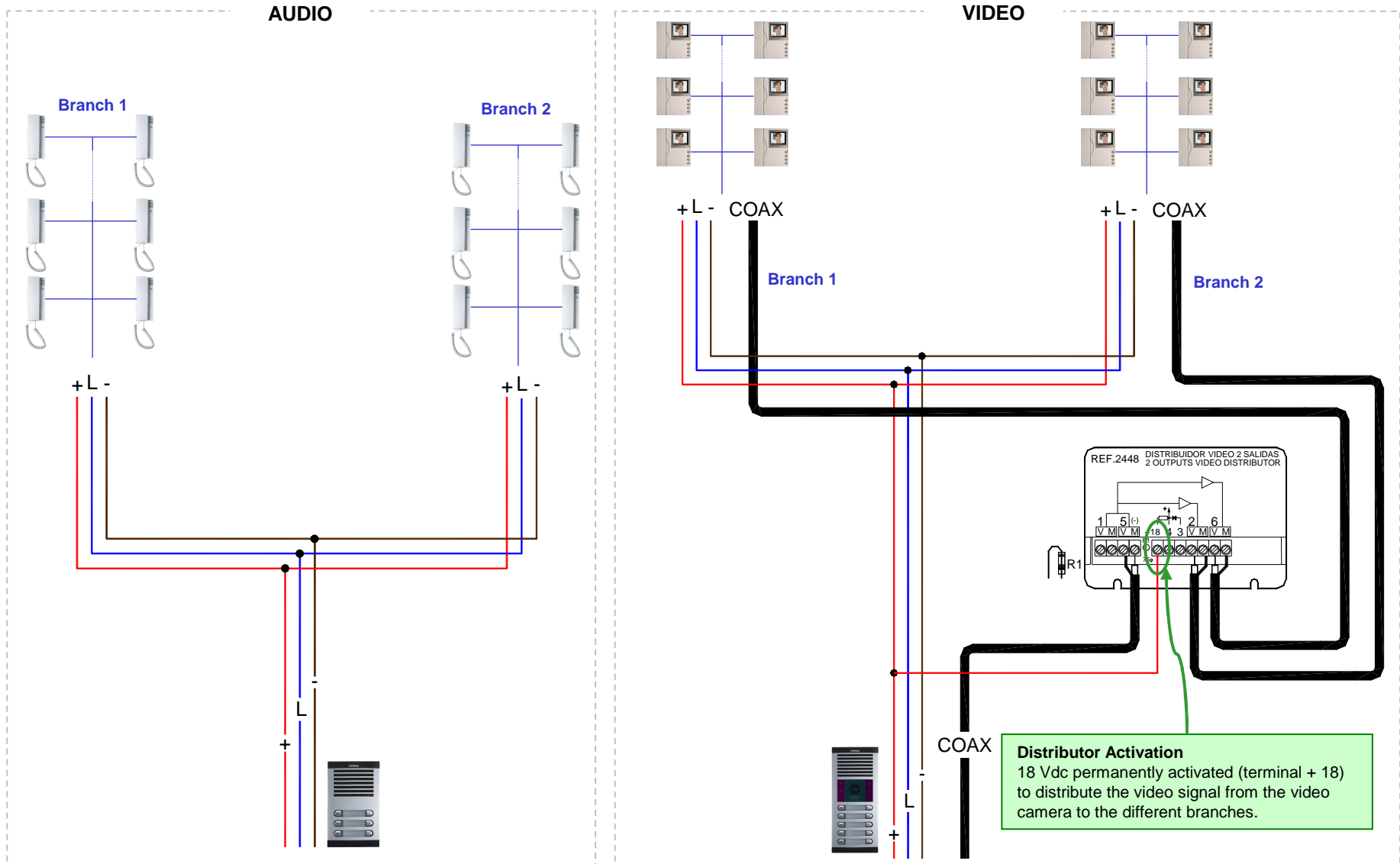
- Maximum distance from the panel to the last terminal on each branch: 200 m.

	
1 - 50	1 mm ²
50 - 100	1,5 mm ²
100 - 200	2,5 mm ²

		
1 - 50	1 mm ²	75 Ohm
50 - 100	1,5 mm ²	75 Ohm
100 - 200	2,5 mm ²	75 Ohm



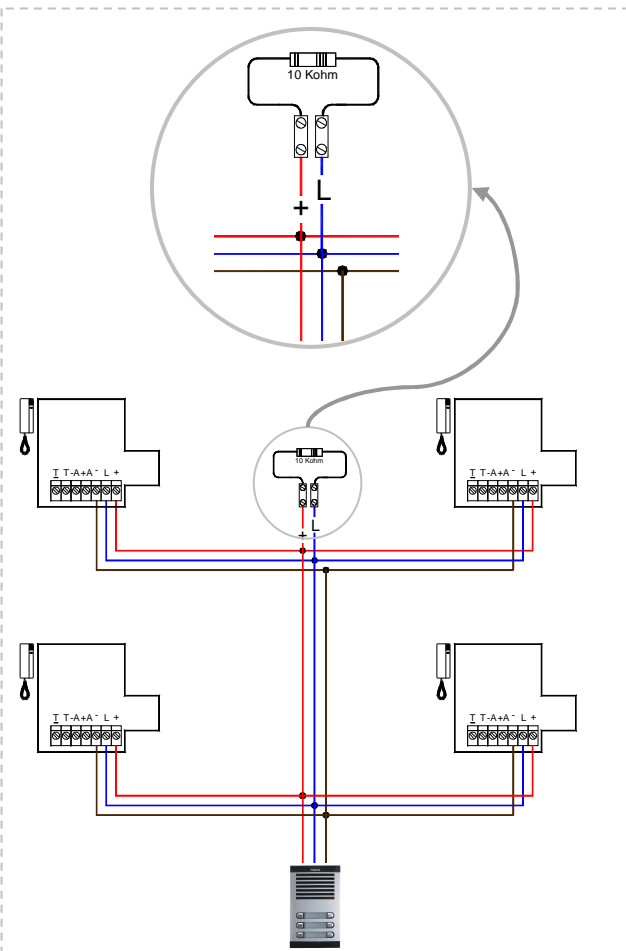
ADS BUS Features – Distribution across various branches



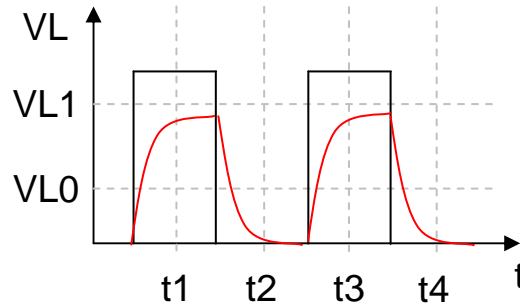
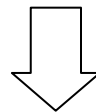
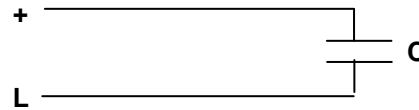
ADS BUS Features

Pull-Up Resistance (end of ADS backbone)

- In ADS systems "pull-up resistance" must be installed between "+" and "L" at the end of each branch, to reduce the capacitive effects of the line.
- Resistance Level: 10 Kohm (depending on the characteristics of the system, this value may vary)

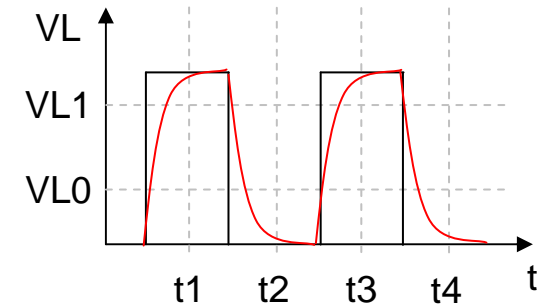
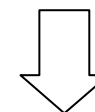
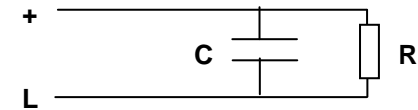


No Pull-Up Resistance



- Real ADS Data
- Ideal ADS Data

With Pull-Up Resistance



- Real ADS Data
- Ideal ADS Data

ADS Panels

ADS PANELS

BUTTON Panels

ADS CITY



Audio Video

CITYMAX



Audio Video

KEYPAD Panels

DIRECT



Audio Video

DIGITAL

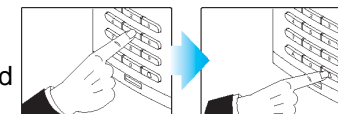


Audio Video

Type of call: Using the button.
Each residence is assigned a call button.



Type of call: Using Keypad.
The call is made by entering the call code assigned to each residence using the keypad



Common characteristics and components of ADS panels

ADS Amplifier: main element of the ADS panels. Manages the installation functions: call, communication, etc....

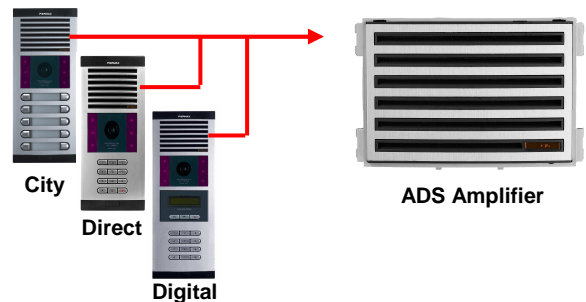
Video Camera: b/w and colour video camera for video door entry systems. Can be integrated into the panel.

Features

- **CITY Panels:** Requires a *Call Extension Module based on 3 buttons* (the rest of the panels do not need one).
- **CITYMAX Panels:** *Independent Button Modules* (from 1 to 6 buttons).
- **DIRECT Panels:** *Access Control* using keypad codes
- **DIGITAL Panels:** *Access Control* using keypad codes.
Digital Display with an electronic directory.

ADS AMPLIFIER

Main element in the ADS panels. Manages the installation functions: call, communication, door opening, etc.



Having the same amplifier, any type of ADS panel can be combined in the same installation.

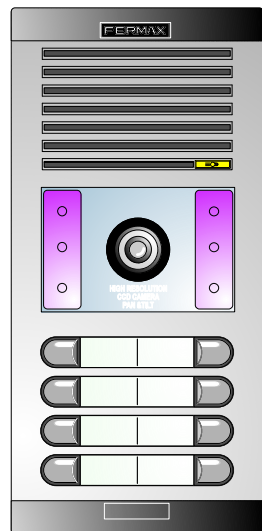
The diagram shows the internal components of the ADS Amplifier PCB. Key features include:

- Keypad connection:** A yellow callout points to the 'KEYPAD' and 'ENGLISH' terminals.
- JP2 Configuration:** A red callout box explains the switch settings for 'Main' or 'Secondary' panel configurations.
- Voice Synthesiser:** A purple callout points to the 'COD.XXXXXX' and 'PLACA' components.
- Audio Regulation:** An orange callout points to the 'VOLUMEN' potentiometer.
- Connection Terminals:** A green callout box lists the functions for terminals Ct, L, S, B,B, +12, C, No, Nc, and the power supply (+, -).
- P4:** A blue callout points to the 'TEST' terminal, used for voice synthesis volume and call monitoring.

JP2: Configuration as "Main" or "Secondary" Panel.
 Main Panel: leave switch in place
 Secondary Panel: remove switch.
 - 1 panel systems: Main Panel:
 - 2 panel systems: Main Panel + Secondary Panel
 The programming of residential terminals can only be done via the main panel.

Connection Terminals:
Ct: video camera activation (10Vdc).
L: ADS Audio and Data Bus.
S: Video Changer Activation Signal (negative).
B,B: Auxiliary button connection to open the door.
+12: auxiliary output 12 Vdc (0.4A).
C, No, Nc: Lock Release Connection (non-voltage relay).
+, -: 18 Vdc power supply.

ADS CITY PANELS



ADS Amplifier + additional call extension pack module

Video Camera Video Panels

Call Buttons integrated into the panel

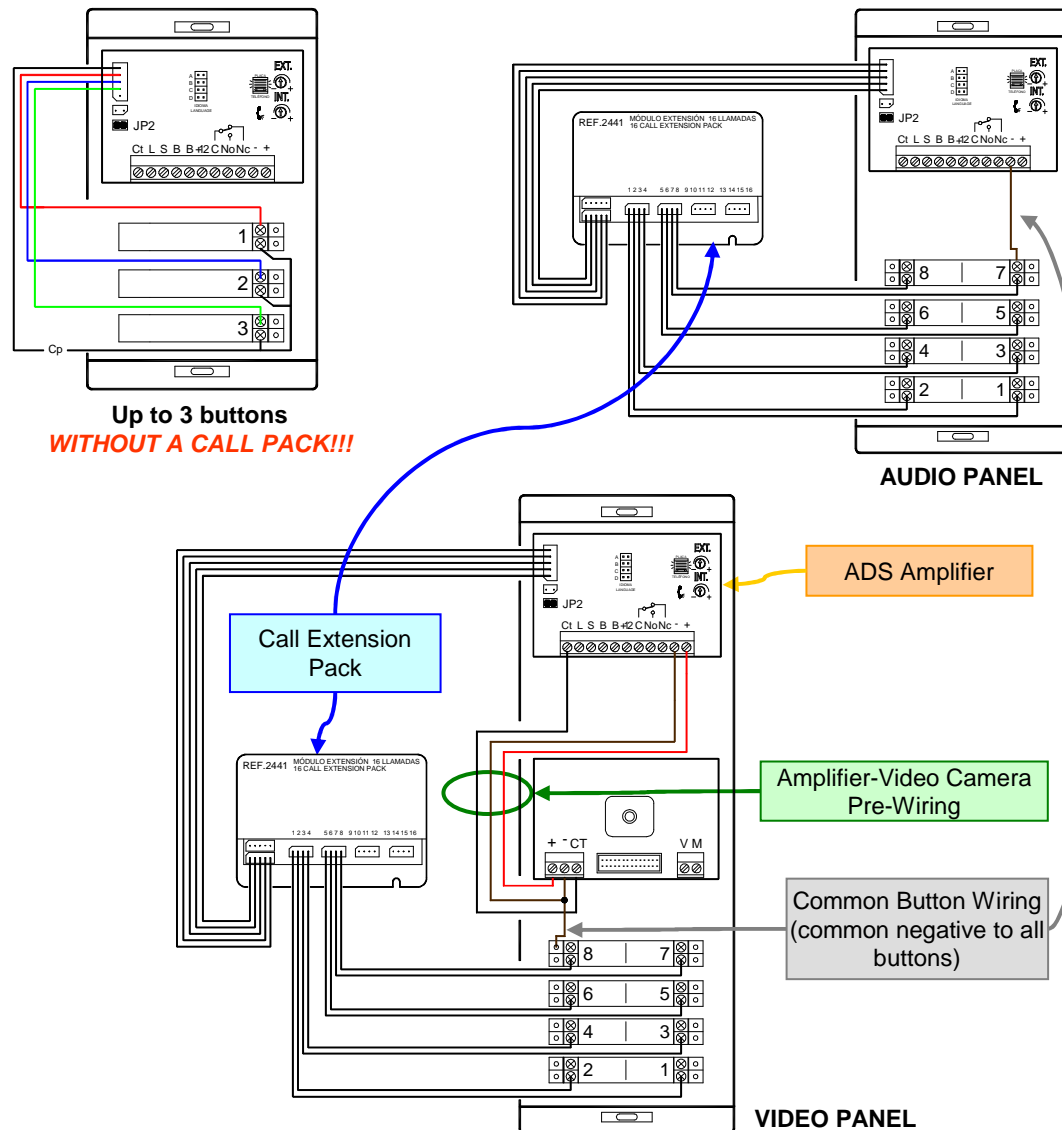
Main Features

- A **call extension pack** is required (1 every 16 buttons) to work together with the ADS amplifier in generating the residential call code.

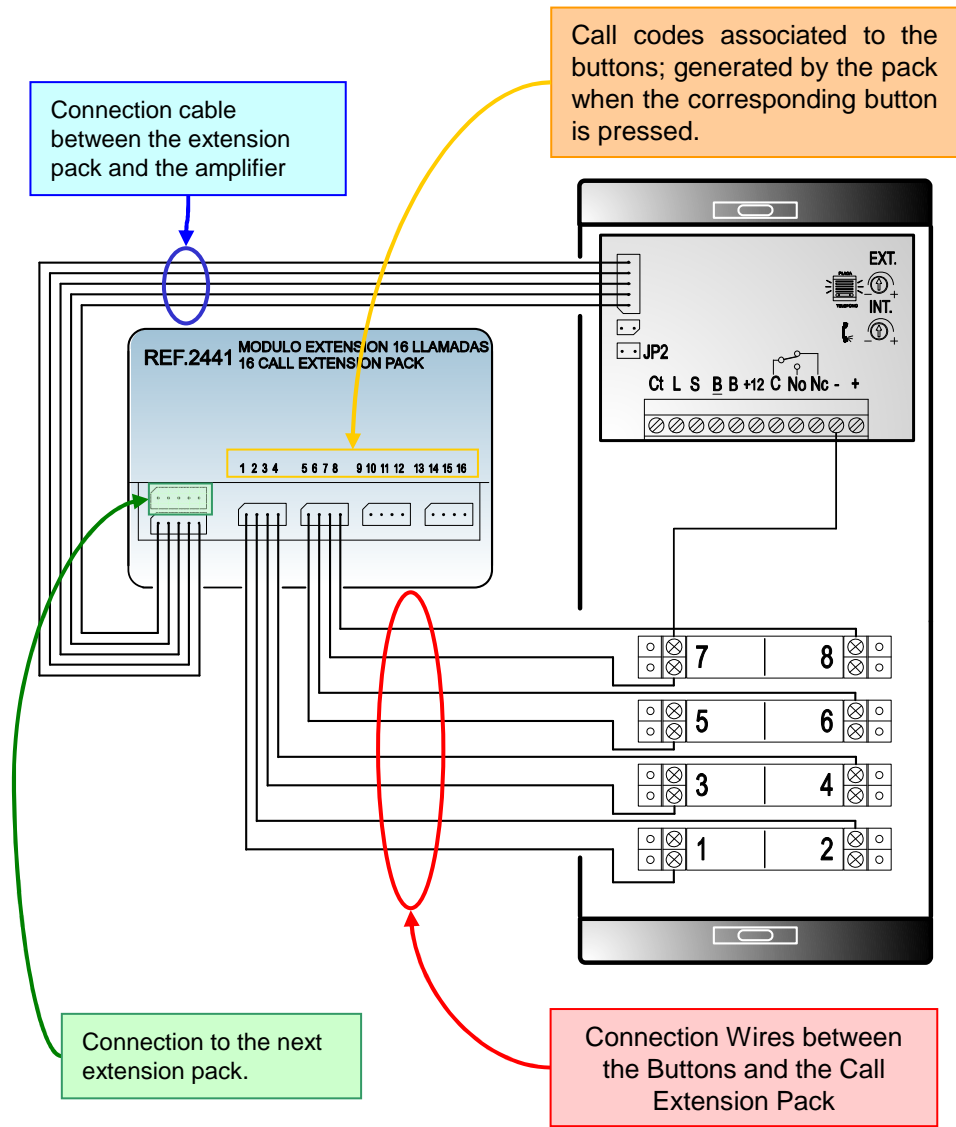
If the number of buttons is ≤ 3 the call extension pack is not required.

- It is recommended for systems of up to 50 residences (50 buttons) due to the space necessary for its installation.

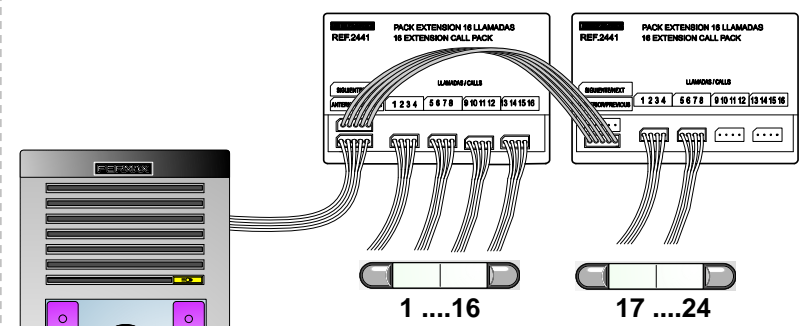
PREWIRED



ADS CITY PANELS - Call Extension Pack

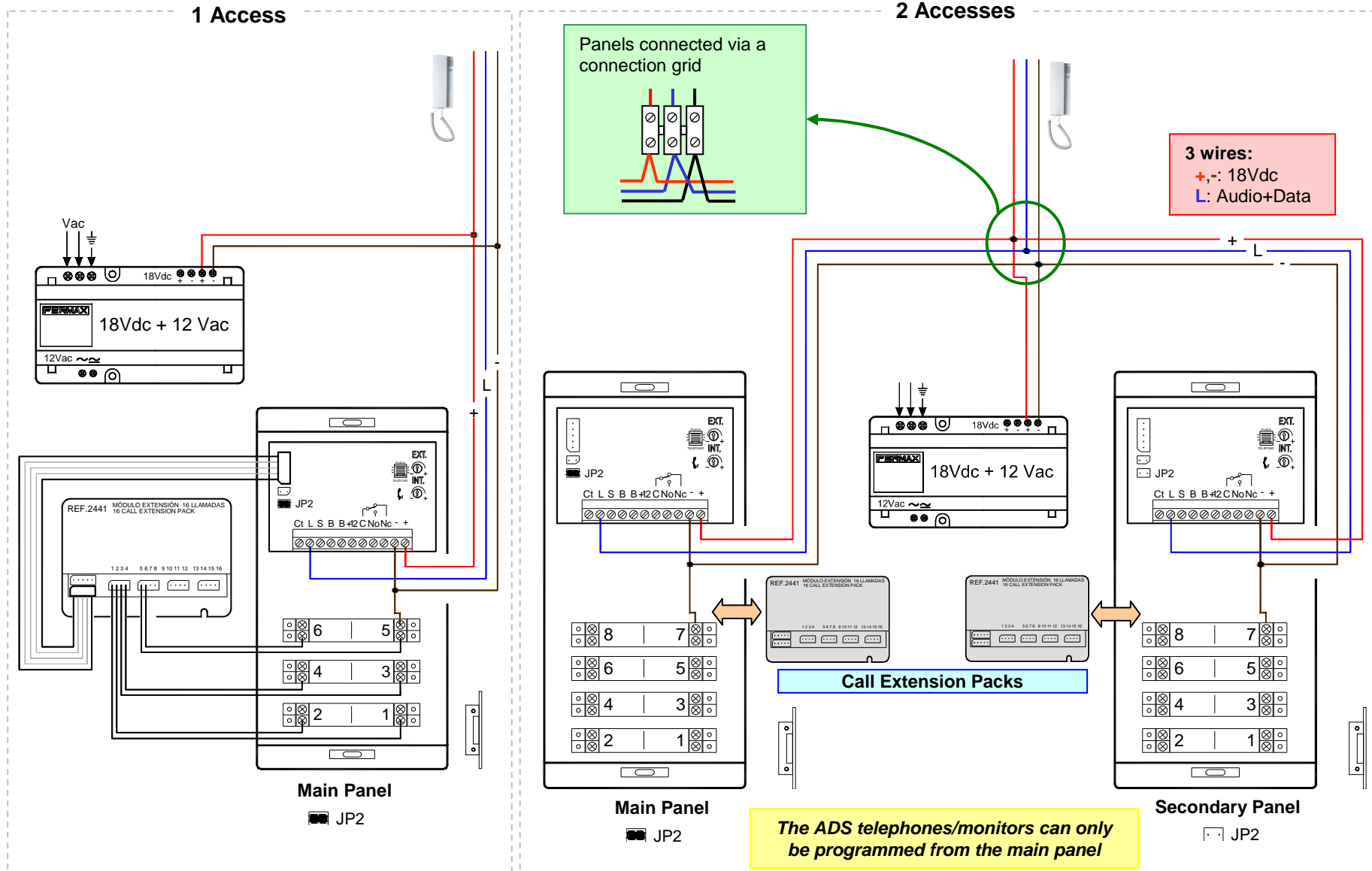


Connection of various call extension packs
 Where there are more than 16 buttons, various call extension packs must be used to cover all the buttons:

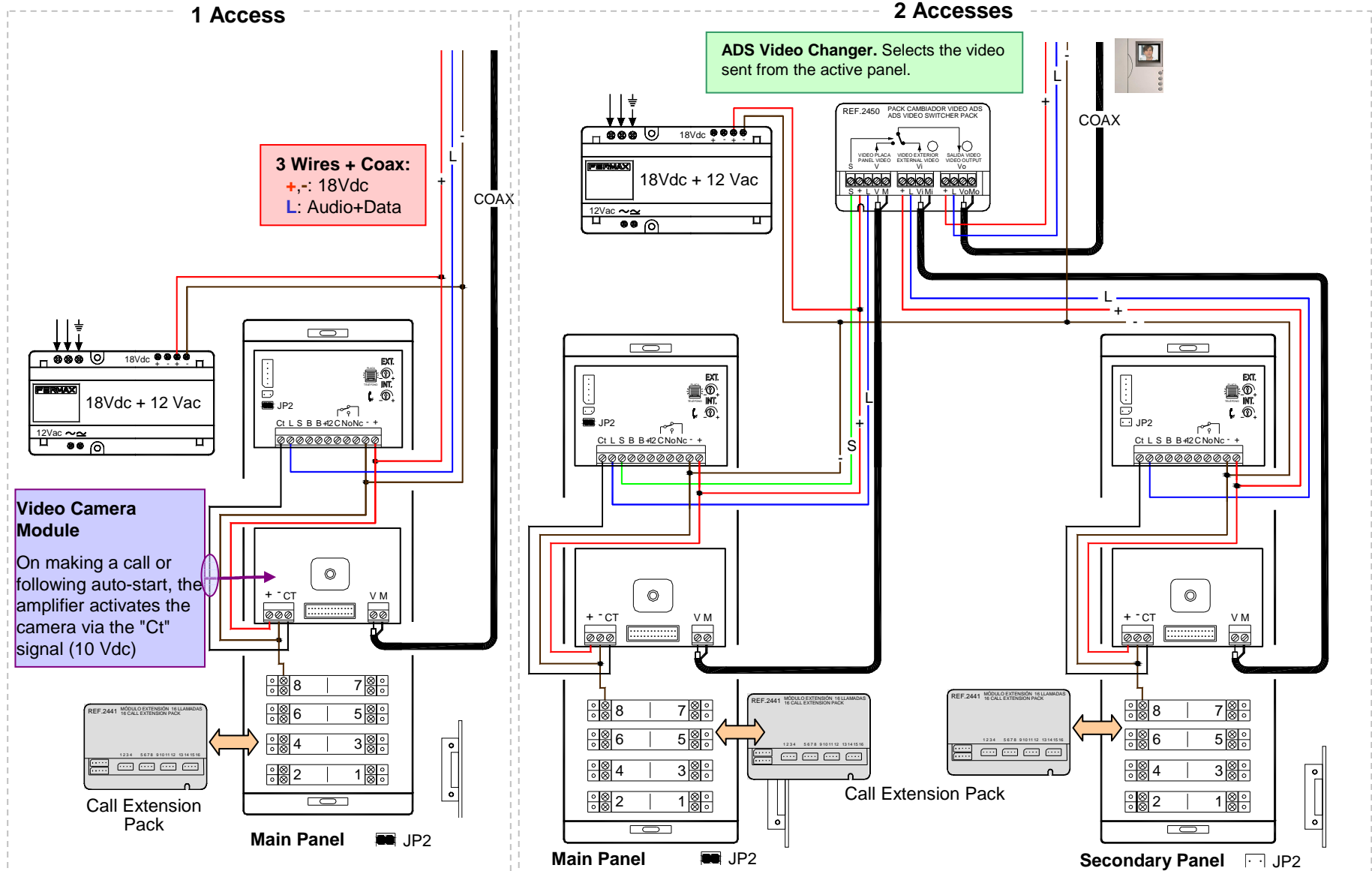


- ADS Call Codes:**
- Pack 1: 1...16
 - Pack 2: 17...32 (16+1, 16+2...16+16).
 - Pack 3: 33...48 (32 +1, 32+2...32+16).
 -
 - Pack 13: 193...199 (192+1...192+7).

ADS CITY PANELS - AUDIO



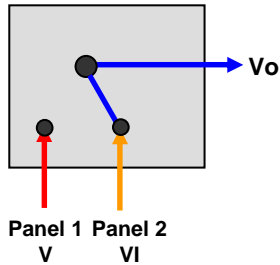
ADS CITY PANELS - VIDEO



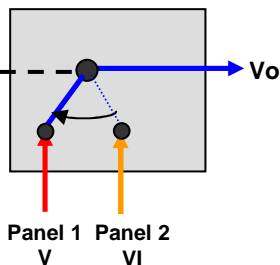
ADS CITY VIDEO PANELS- ADS Video Changer

Selects the video sent from the active panel.

**Changer on standby
Panel 2 selected**

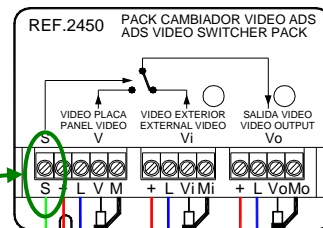


**Changer Activated
Panel 1 selected**



The changer, selects the video (L, M) sent from the active panel. The rest of the wires "L" and "+" are switched internally between themselves.

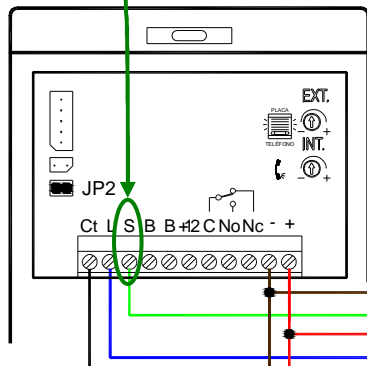
INPUTS V-VI **OUTPUT Vo**



"S" video changer's activation signal (via negative). On making a call from the main panel or following auto-start the amplifier sends a negative signal to the changer via the "S" output, connecting the changer's "V" input with the "Vo" output.

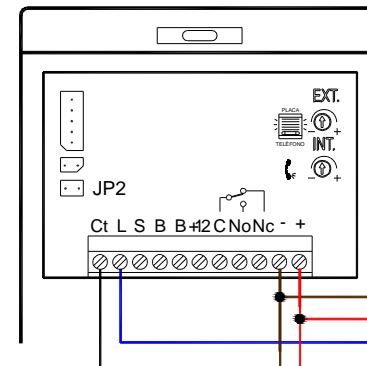
18 Vdc

Main Panel
JP2

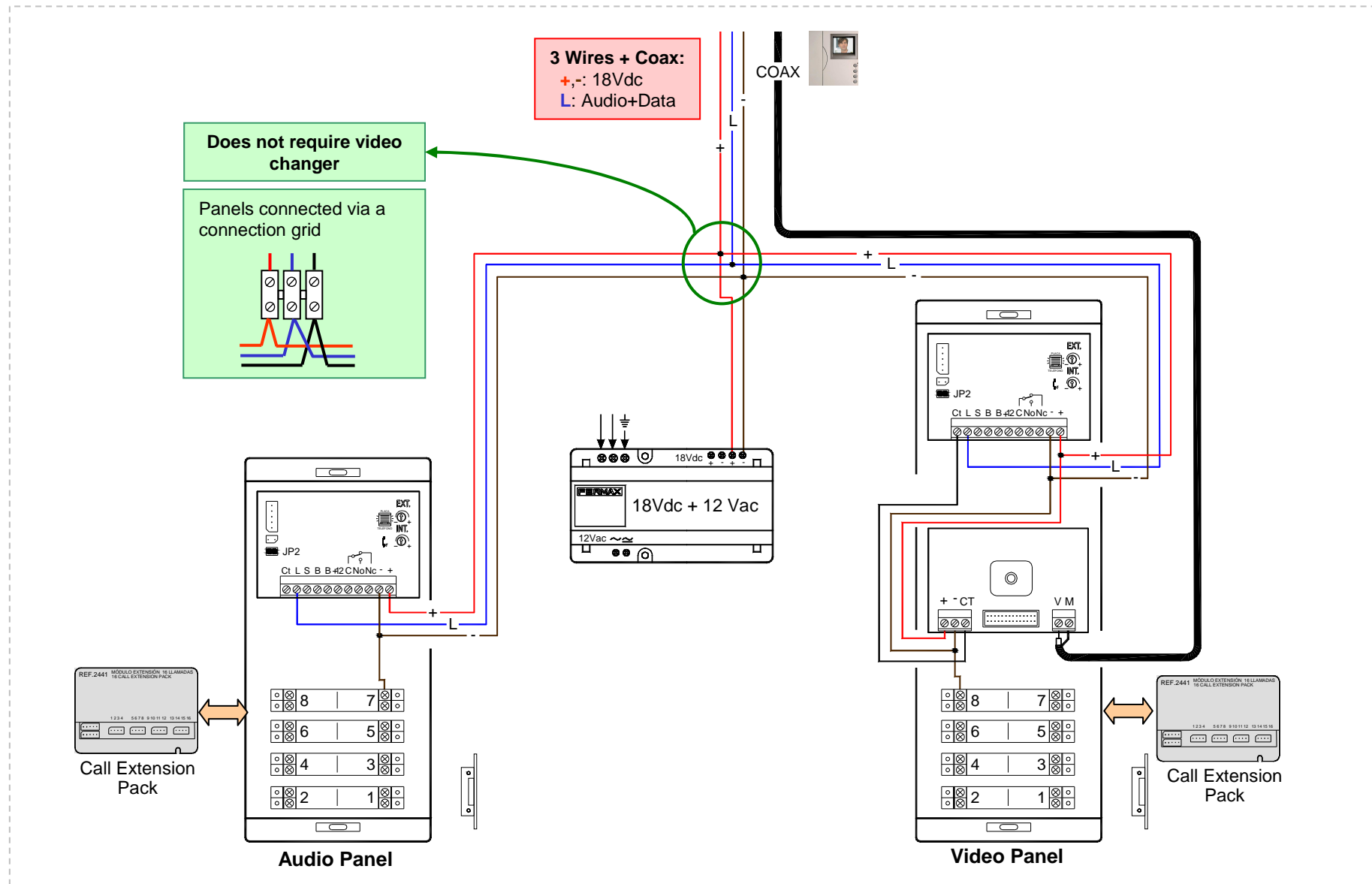


Common negative connected outside the changer

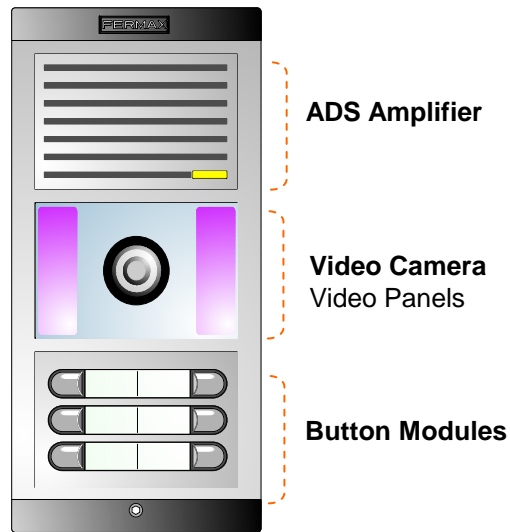
Secondary Panel
JP2



ADS CITY PANELS– AUDIO and VIDEO



ADS CITYMAX PANELS



ADS Amplifier

Video Camera
Video Panels

Button Modules

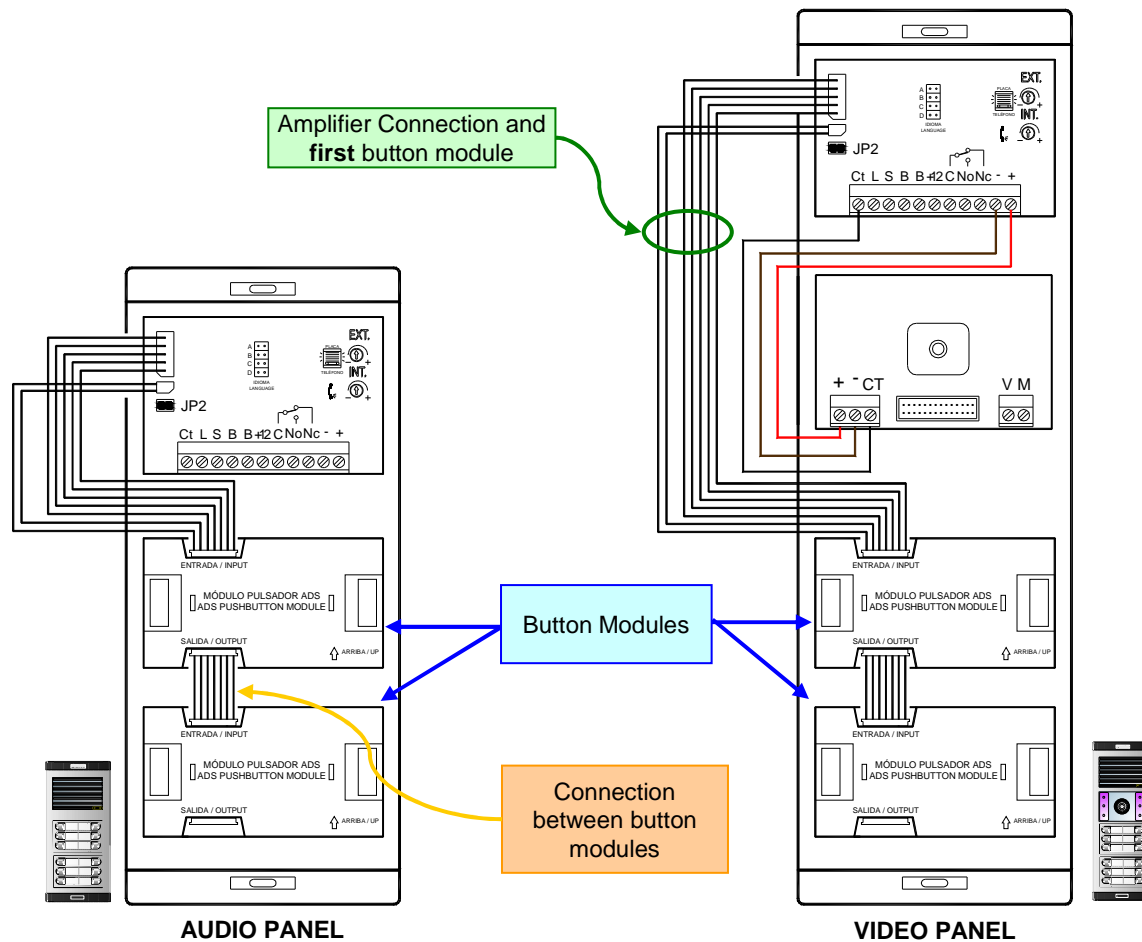
Main Features

- **DO NOT** require a call extension pack.
- Inter-Connectable Button Modules (from 1 to 6 buttons).

The **button modules** generate the residential call code sent by the amplifier via the "L" data line.

- It is recommended for systems of up to 50 residences (50 buttons) due to the space necessary for its installation.

PREWIRED



Amplifier Connection and first button module

Button Modules

Connection between button modules

AUDIO PANEL

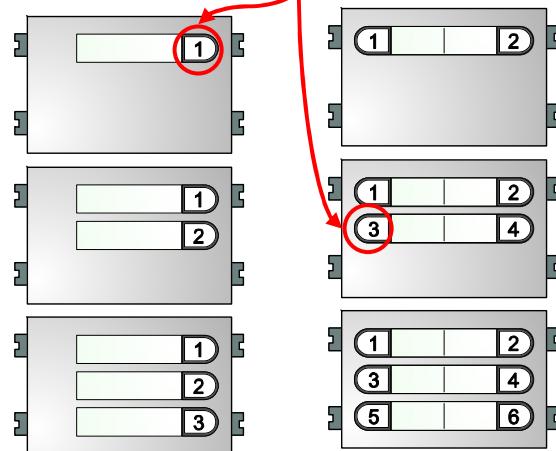
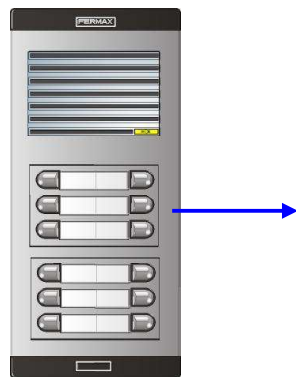
VIDEO PANEL

ADS CITYMAX PANELS – Button Modules

The **button modules** generate the residential call code (without the need for a call extension pack)

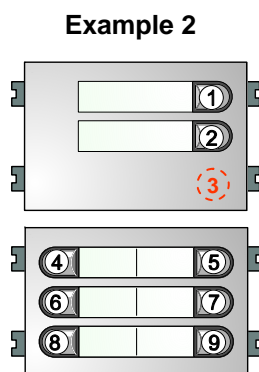
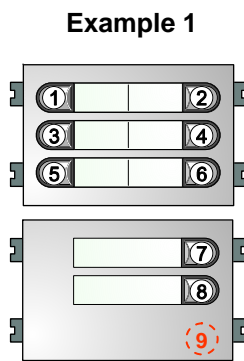
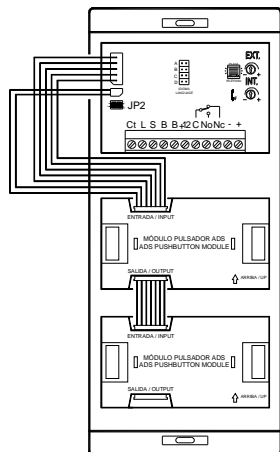
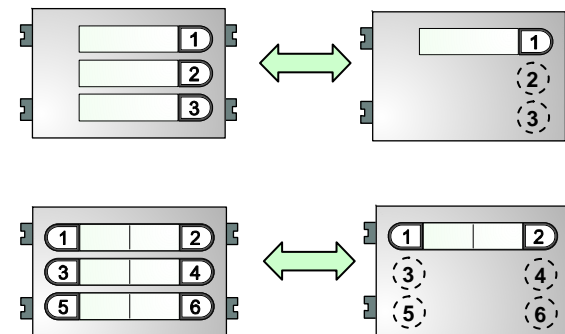
Each button has a default factory installed ADS code

Independently of the number of buttons, each module incorporates the same electronics



Single Buttons

Double Buttons



ADS Call Codes:

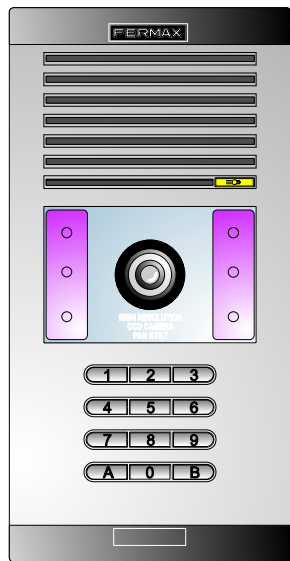
Example 1:

- Module 1 (6 double buttons): 1 to 6 → usable **1,2,3,4,5 and 6**.
- Module 2 (2 single buttons): 7 to 9 (6+1, 6+2..) → usable **7 and 8**.

Example 2:

- Module 1 (2 single buttons): 1 to 3 → usable **1 and 2**.
Call address "3" is not used.
- Module 2 (6 double buttons): 4 to 9 (3+1, 3+2..) → usable **4,5, 6, 7, 8 and 9**.

ADS DIRECT PANELS



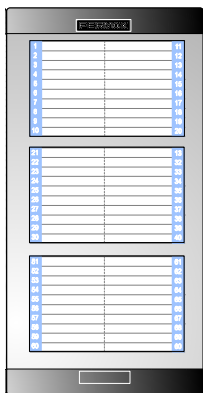
ADS Amplifier

Video Camera
Video Panels

Keypad
To enter the residential call code and an access code to activate the lock release.

-DO NOT require a call extension pack.

The keypad generates the residential call code sent by the amplifier via the "L" data line.



With the direct panels a landscape card holder is installed to allow the call codes for each residence to displayed.

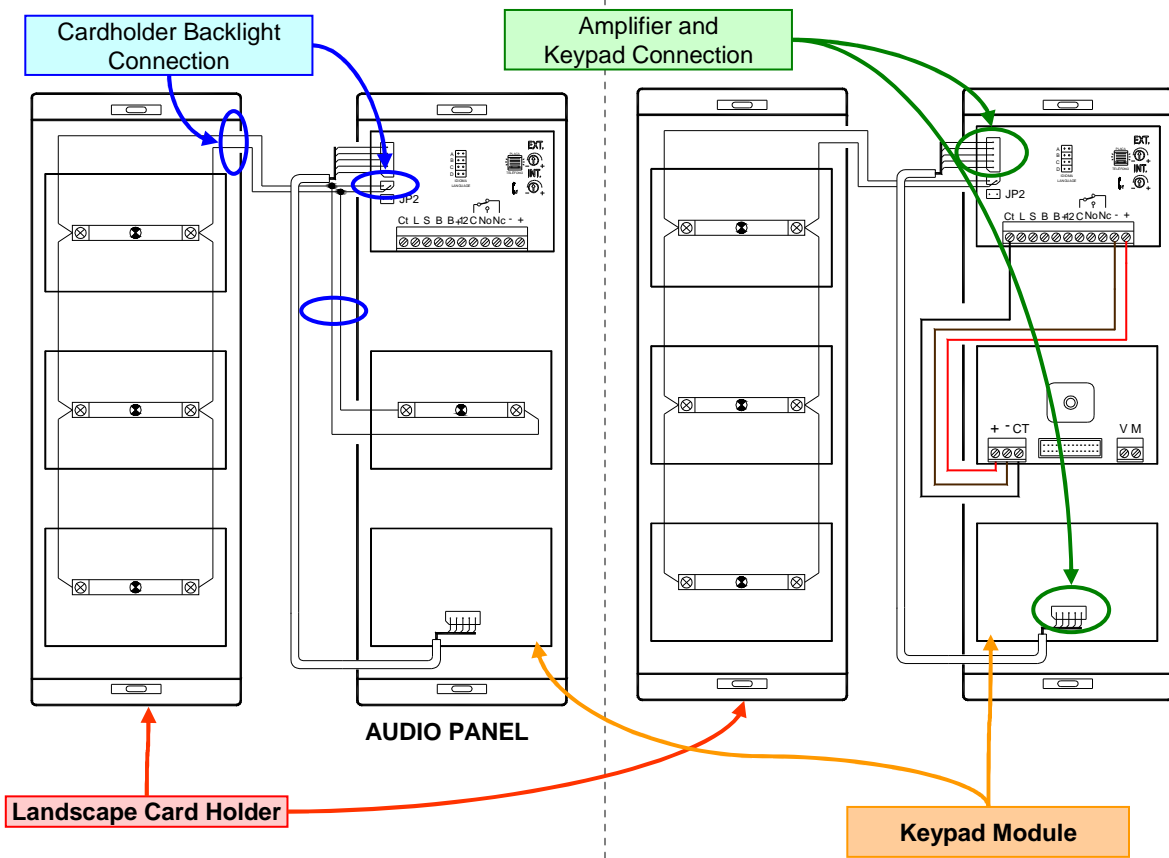
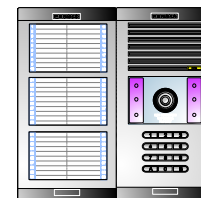
The audio panels have a wide recess instead of a video camera

PREWIRED

AUDIO PANEL



VIDEO PANEL



ADS DIGITAL PANELS



ADS Amplifier

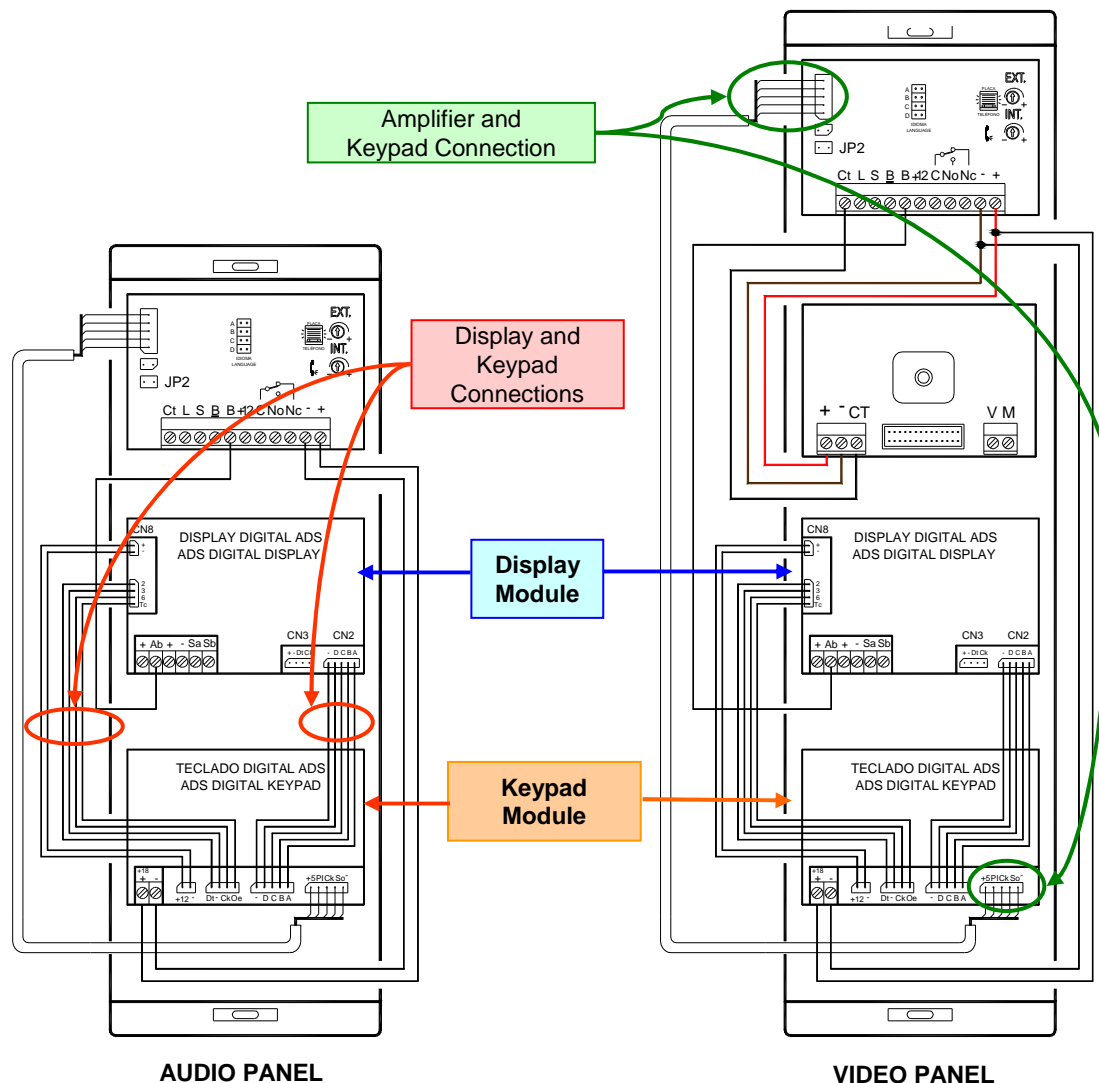
**Video Camera
Video Panels**

ADS Digital with a digital directory which allows you search for usernames and call residences.

Keypad
To enter the residential call code and an access code to activate the lock release (one code per user: 350).

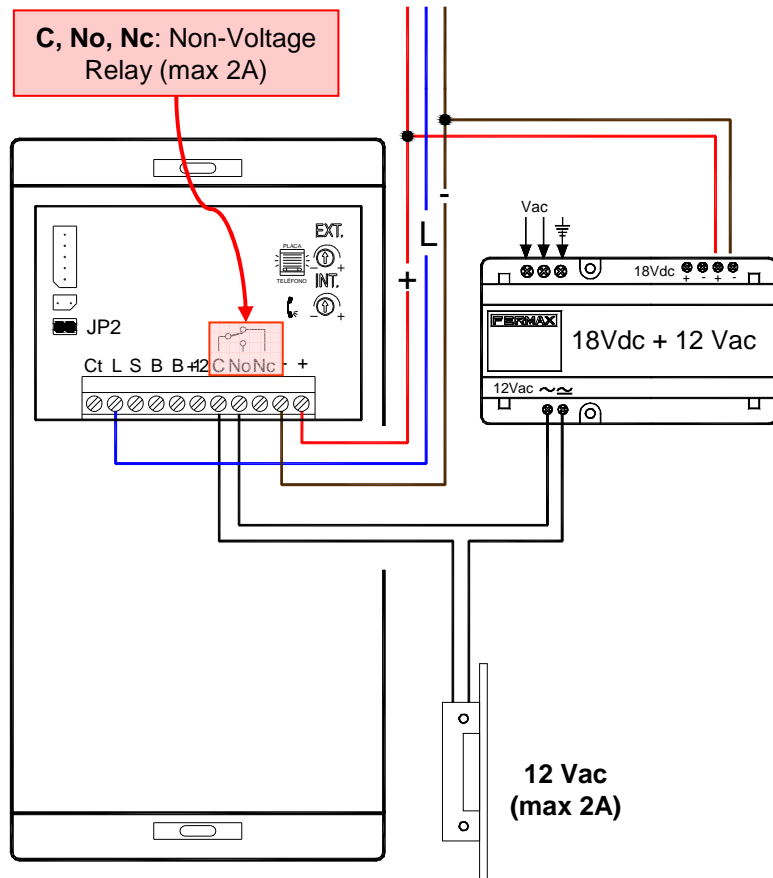
- **DO NOT** require a call extension pack.
The keypad generates the residential call code sent by the amplifier via the "L" data line.

PREWIRED

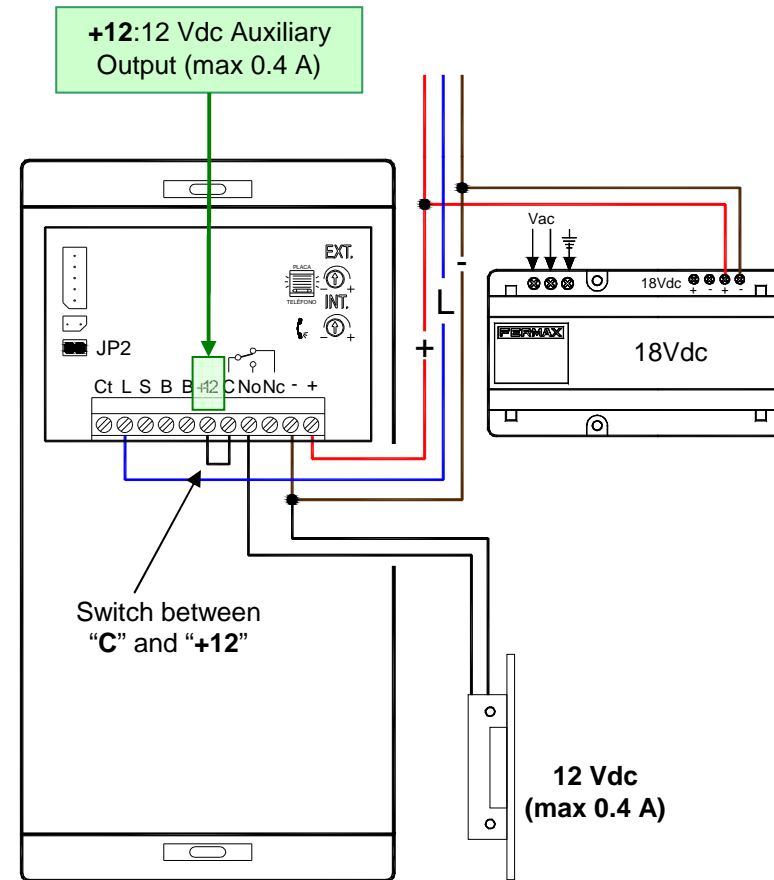


ADS PANELS- Lock Release Connection

Alternating Lock-Release



Continuous Lock-Release



ADS Guard Unit

CENTRAL GUARD UNIT

In ADS systems its possible to install an ADS central guard unit in addition to audio/video accesses.

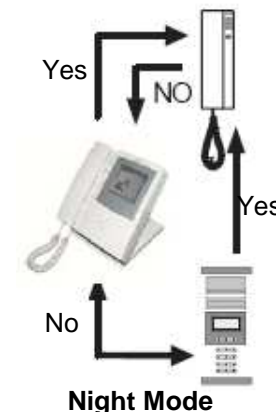
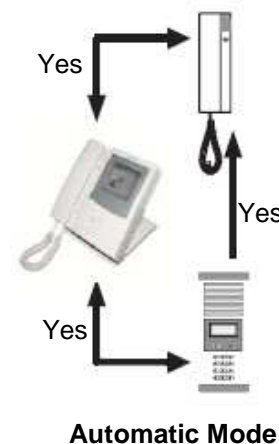
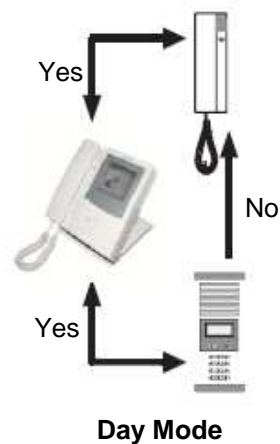


The ADS central guard units have 3 operating modes: Day, Automatic and Night Mode which are configured using the guard unit keypad.

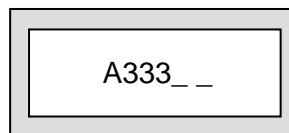
Available Functions:

- Lock Release
- Reception of calls from entry panels and residences.
- Communication with residences.
- Automatic communication between the guard unit and the panels.
- Establish communication between Panels and Residences.

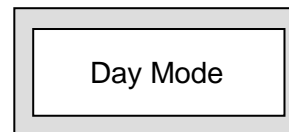
Operating Modes



To configure the operating mode:

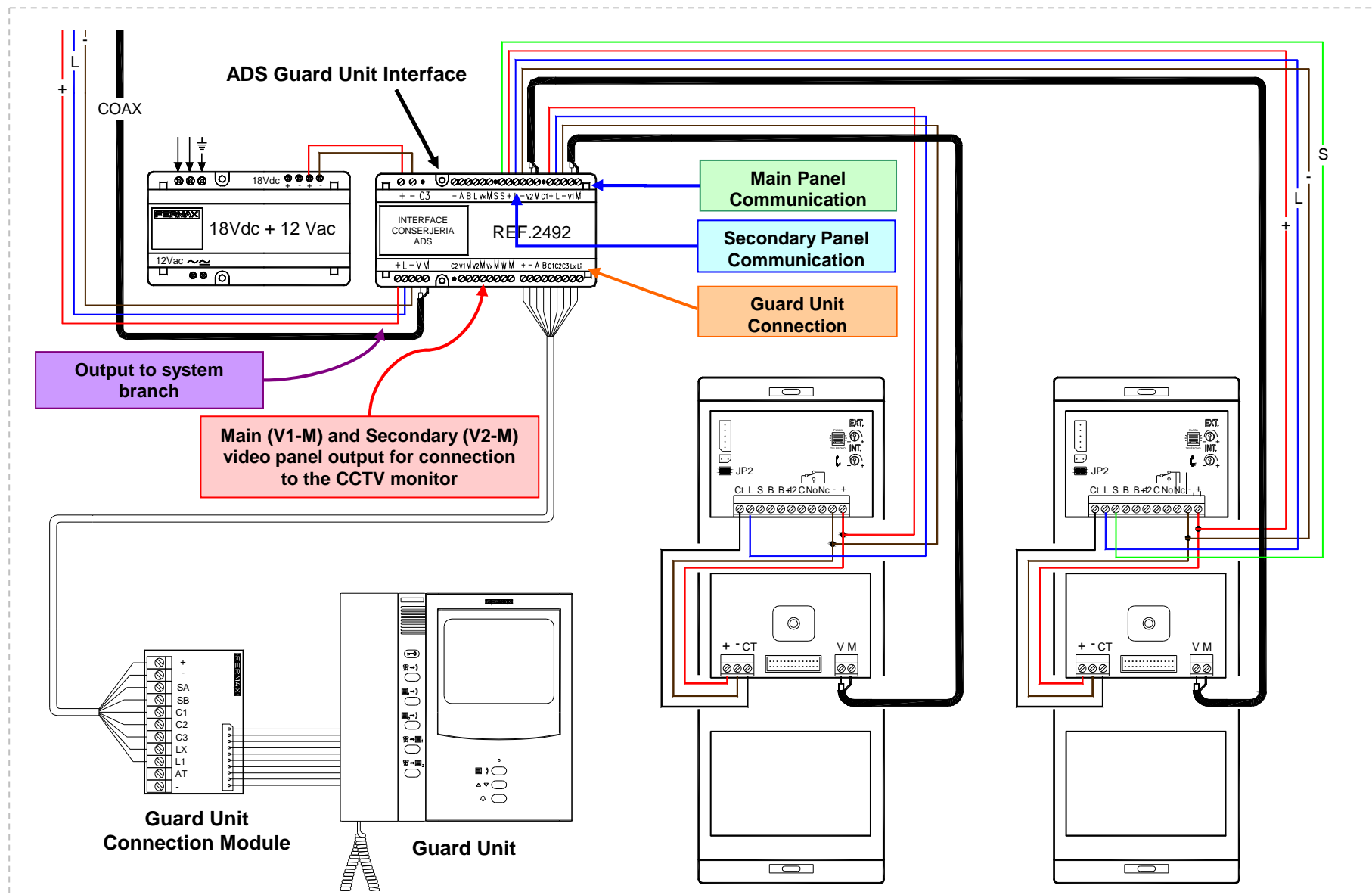


press the "A" key followed by "3" repeatedly until you have filled all the gaps



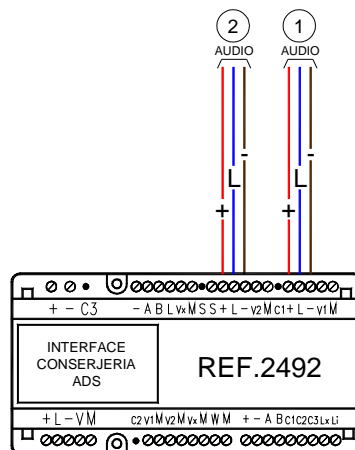
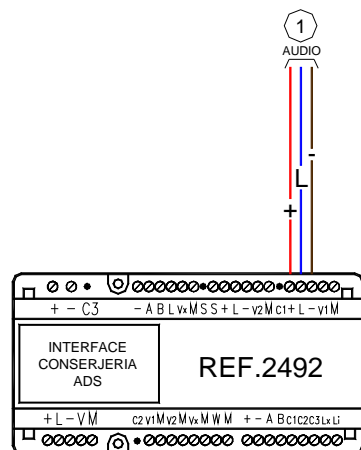
Use the arrow keys (under the display) to select the required mode.

CENTRAL GUARD UNIT with Video Accesses

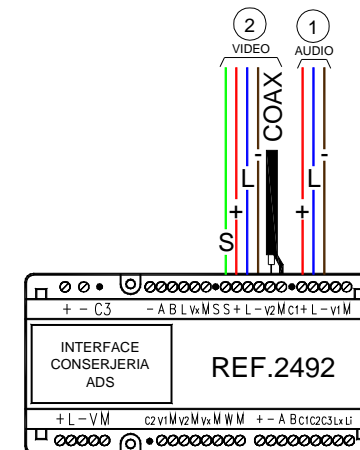
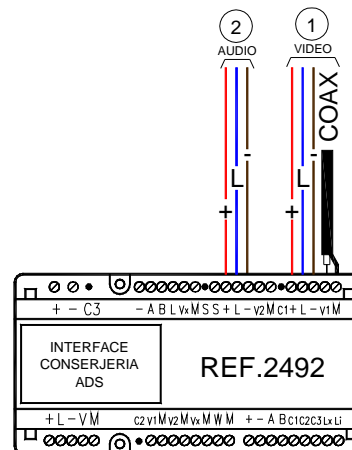


CENTRAL GUARD UNIT - Panel Connections to Guard Unit Module

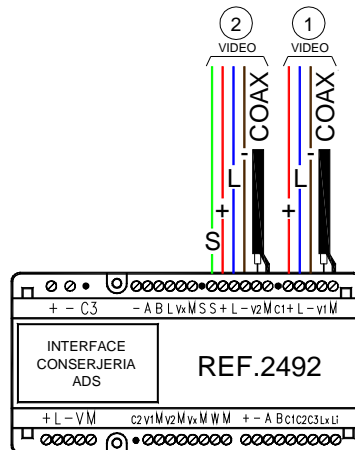
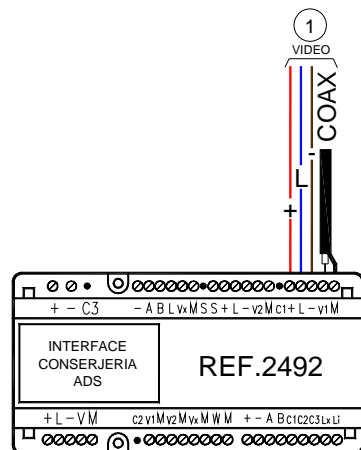
Audio Panels



Audio and Video Panels



Video Panels



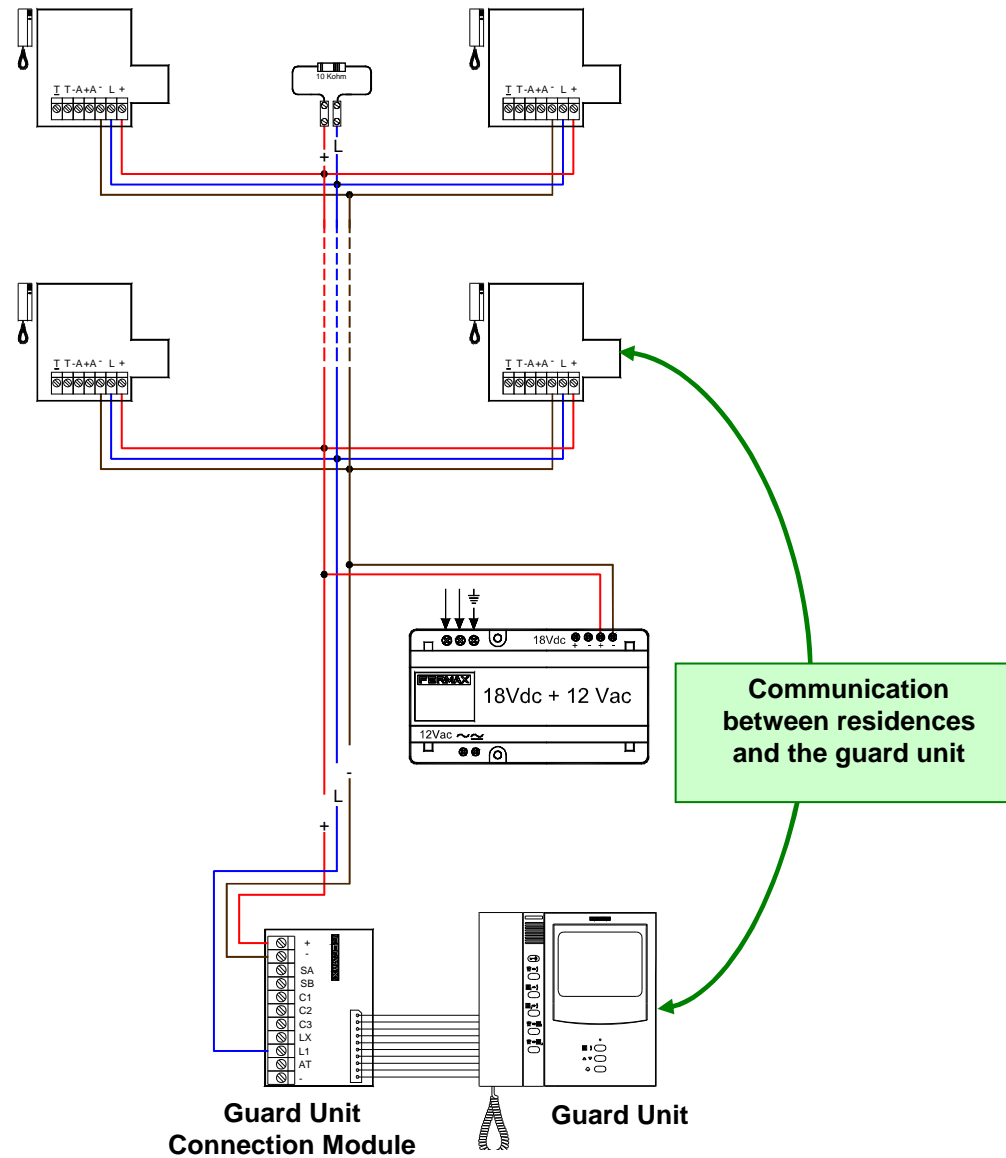
- ① Main Panel
- ② Secondary Panel

CENTRAL GUARD UNIT - Intercommunication

RADIAL INTERCOMMUNICATION

Communication between the guard unit and the residences

Communication between residences is not possible

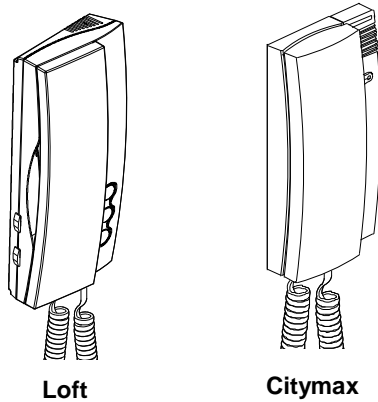


Terminals

TELEPHONES and MONITORS

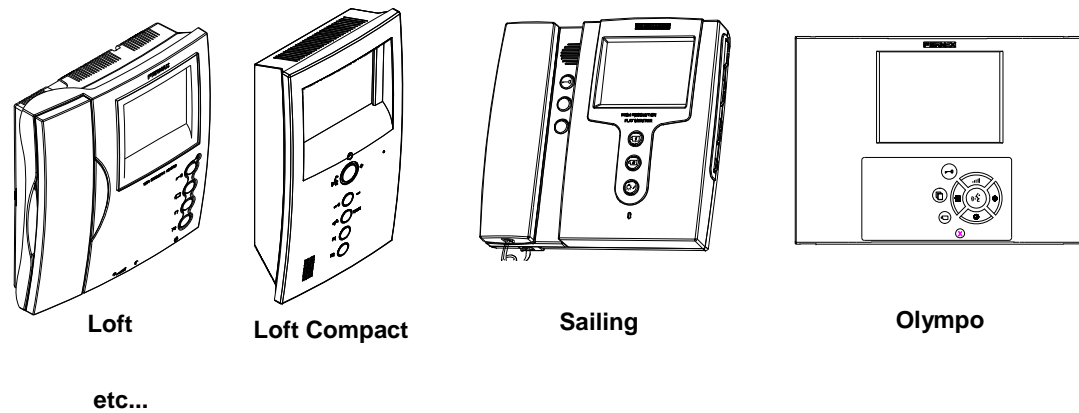
Specific terminals for the ADS system.
Requires programming to become operational.

ADS Telephones



- Available Functions:**
- Lock Release
 - Call Guard.
 - Buttons for additional functions (in extra and complet models)

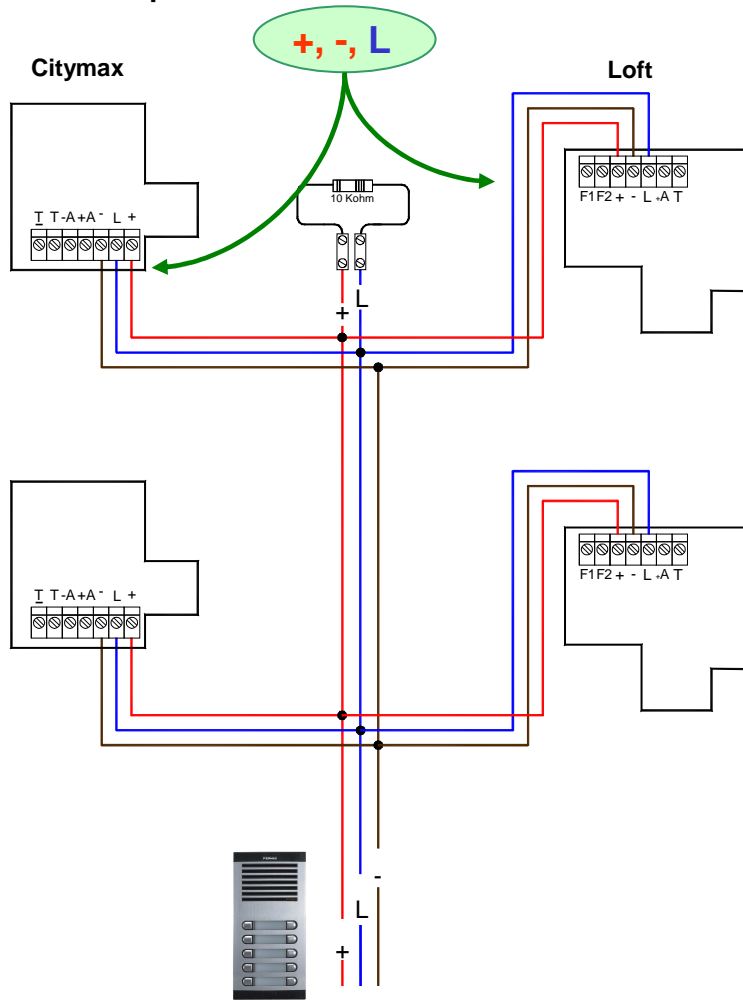
ADS Monitors



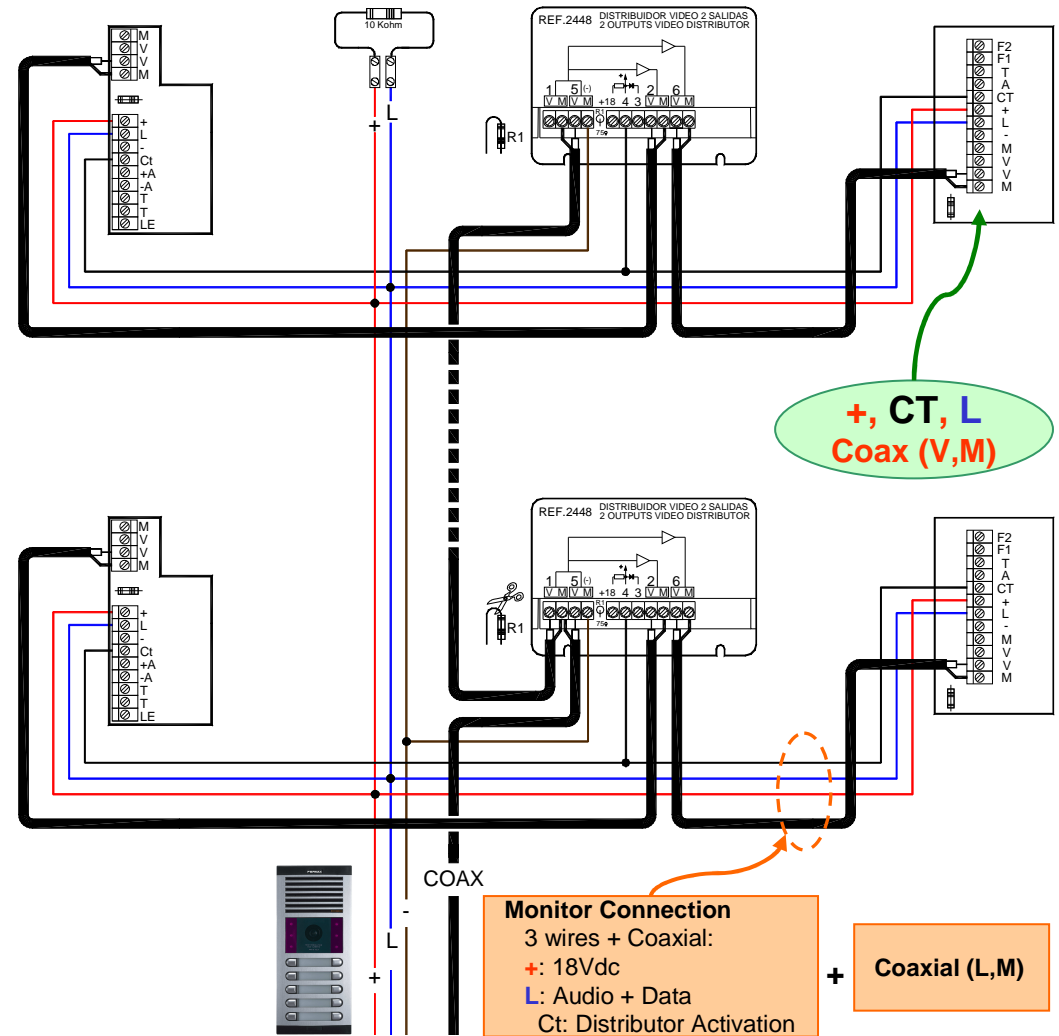
- Available Functions:**
- Lock Release
 - Call Guard
 - Main and Secondary Panel Auto-Start
 - Buttons for additional functions

CONNECTIONS

ADS Telephones



ADS Monitors

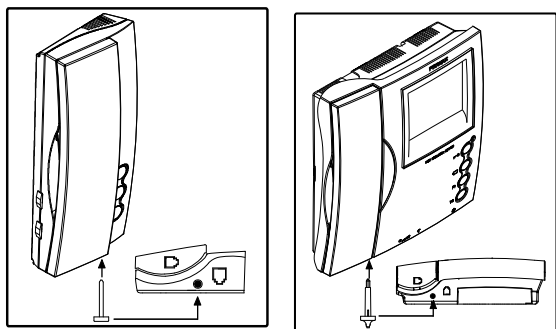


PROGRAMMING THE ADS TERMINALS

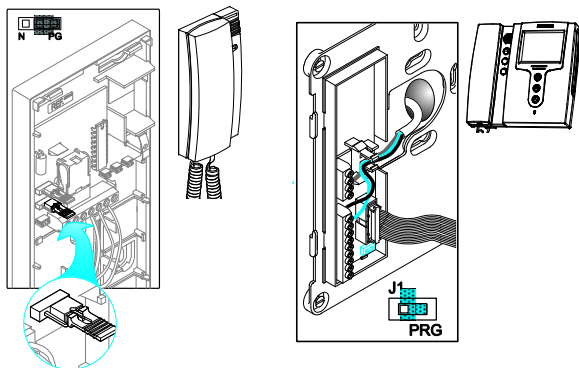
PROGRAMMING STEPS

1 Put the telephone or monitor into programming mode.

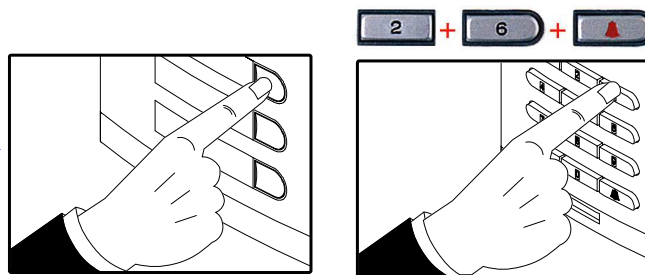
*Terminals with a programming button:
Press the programming button*



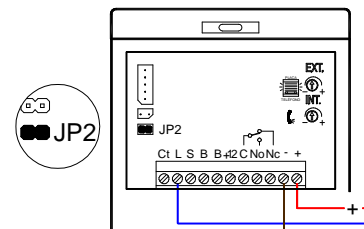
*Terminals with a programming switch:
Set the switch in the "PRG" position*



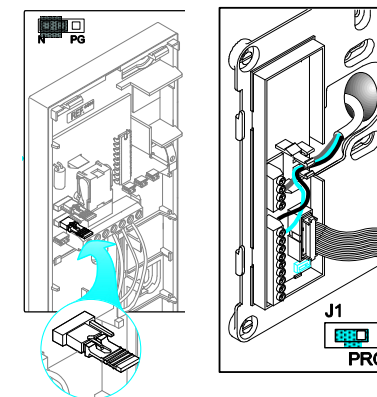
2 Press the call button or call code (on the keypad panels) that you want to assign to the terminal. Again, a confirmation tone is emitted.



IMPORTANT: The programming of residential terminals can only be done from a panel configured as the main panel (JP2 switch installed).



3 In terminals with a programming switch, you must return the switch to its initial position.



Power Supply

Audio Installations

Video Installations

18Vdc

18Vdc

FERMAX Power Sources:

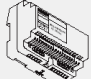





Ref. **4812**: 18Vdc/1.5A (DIN 6)

Ref. **4813**: 12Vdc / 2A (DIN6)

Ref. **4830**: 18Vdc/3.5A (DIN 6)

Ref. **4800**: 12Vac / 1.5A (DIN4) (for alternating lock releases)

Ref. **4810**: 12Vac / 1.5A + 18 Vdc 1.5A (DIN10)

					12 Vdc	12 Vac		
4830 18Vdc/3,5A	1	-	-	1	-	80	-	
	-	1	-	1	-	-	40	
	-	-	1	1	-	-	40	
	-	-	-	-	-	80	-	
4812 18Vdc/1,5A	1	-	-	1	-	-	-	
	-	1	-	1	-	-	-	
	-	-	1	1	-	-	-	
	-	-	-	-	-	60	-	
4810 18Vdc/1,5A 12Vac/1,5A	1	-	-	-	1	48	-	
	-	1	-	-	1	-	24	
	-	-	1	-	1	-	24	
	-	-	-	-	-	60	-	
4800 18Vac/1,5A	-	-	-	-	-	-	30	
	-	-	-	-	2	-	-	

The model and quantity of sources to be installed depend on the type of installation and the number of devices to be supplied by each source.

Calculate a Quote

*First Step!
Design the Installation!*

	Audio Installations	Video Installations
Accesses	<p>Obtain a Quote:</p> <ul style="list-style-type: none"> - Audio Panel (1 or 2) - Call Extension Module (based on the panel model) - Surface or Flush Mounted Box - Lock Release - ADS Guard Unit - Guard Unit Connection Module 	<p>Obtain a Quote:</p> <ul style="list-style-type: none"> - Video Panel (1 or 2) (according to Video Panel models = Audio Panel with recess + video camera) - Call extension module (according to panel model) - Surface or Flush Mounted Box - Video Changer (if the two panels are video panels) - Lock Release - ADS Guard Unit - Guard Unit Connection Module
Backbone	<ul style="list-style-type: none"> - ADS Telephones 	<ul style="list-style-type: none"> - Video distributors (2/4 outputs) - Monitors (colour or black and white) - Monitor connectors
Power Supply Backbone	<p>No of 18Vdc/3.5A Power Sources = ADS/ 60 Telephones</p> <p>12Vac/1.5A Sources= if a 12 Vac lock release is used</p>	<p>No of 18Vdc/3.5A Power Sources = ADS/ 40 Monitors</p> <p>12Vac/1.5A Sources= if a 12 Vac lock release is used</p>

Example – 1ADS Audio Panel CityLine to 40 telephonesAccesses

1 x 87015 – CityLine 7 Panel AP 210

1 x 8706 – CityLine 7 Panel P 210

3 x 2441 – Call Extension Module

2 x 8857 – S7 Flush Mounted Box

1 x 8829 – Set of Separators

1 x 3071 – 12 Vac Lock Release

Backbone

40 x 2451 – Basic ADS Telephone

General Power Supply

1 x 4830 – 18 Vdc 3.5 A Power Supply.

1 x 4800 – 12 Vac 1.5 A Power Supply.

Example – 1ADS Audio Panel Direct to 90 telephonesAccesses

1 x 2457 – ADS Direct 1 Recess Panel

1 x 8820 – Landscape Cardholder

1 x 8613 – S5 Directory Panel

2 x 8855 – S5 Flush Mounted Box

1 x 8829 – Set of Separators

1 x 3071 – 12 Vac Lock Release

Backbone

90 x 2451 – Basic ADS Telephone

General Power Supply

2 x 4830 – 18 Vdc 3.5 A Power Supply.

1 x 4800 – 12 Vac 1.5 A Power Supply

Example – 1ADS Audio Panel Digital to 90 telephonesAccesses

1 x 2416 – ADS Digital 1 Recess Panel

1 x 8820 – Landscape Cardholder

1 x 8857 – S7 Flush Mounted Box

1 x 3071 – 12 Vac Lock-Release

Backbone

90 x 2451 – Basic ADS Telephone

General Power Supply

2 x 4830 – 18 Vdc 3.5 A Power Supply.

1 x 4800 – 12 Vac 1.5 A Power Supply

Example – 1ADS Video Panel CityLine to 40 B/W monitorsAccesses

1 x 87015 – CityLine 8 Panel AVP 208
1 x 8706 – CityLine 8 Panel P 212
1 x 8028 – B/W Video Camera Module
3 x 2441 – Call Extension Module
2 x 8858 – S8 Flush Mounted Box
1 x 8829 – Set of Separators
1 x 3071 – 12 Vac Lock Release

Backbone

40 x 3311 – ADS B/W Connector
40 x 3314 – ADS Loft Connector
20 x 2448 – 2 Output Video Distributor

General Power Supply

1 x 4830 – 18 Vdc 3.5 A Power Supply.
1 x 4800 – 12 Vac 1.5 A Power Supply.

Example – 1ADS Video Panel Direct to 90 B/W monitorsAccesses

1 x 2457 – ADS Direct 1 Recess Panel
1 x 8028 – B/W Video Camera Module
1 x 8613 – S5 Directory Panel
2 x 8855 – S5 Flush Mounted Box
1 x 8829 – Set of Separators
1 x 3071 – 12 Vac Lock Release

Backbone

90 x 3311 – Loft ADS B/W Monitor
90 x 3314 – ADS Loft Connector
45 x 2448 – 2 Output Video Distributor

General Power Supply

3 x 4830 – 18 Vdc 3.5 A Power Supply.
1 x 4800 – 12 Vac 1.5 A Power Supply.

Example – 1ADS Video Panel Digital to 90 COLOUR monitorsAccesses

1 x 2416 – ADS Digital 1 Recess Panel
1 x 2490 – COLOUR Video Camera Module
2 x 8857 – S7 Flush Mounted Box
1 x 3071 – 12 Vac Lock-Release

Backbone

90 x 3313 – Loft ADS COLOUR Monitor
90 x 3314 – ADS Loft Connector
45 x 2448 – 2 Output Video Distributor

General Power Supply

3 x 4830 – 18 Vdc 3.5 A Power Supply.
1 x 4800 – 12 Vac 1.5 A Power Supply.

Example – 2 ADS Audio Panels CityLine to 40 telephones

Accesses

- 2 x 87015 – CityLine 7 Panel AVP 210
- 2 x 8706 – CityLine 7 Panel P 210
- 6 x 2441 – Call Extension Module
- 4 x 8857 – S7 Flush Mounted Box
- 2 x 8829 – Set of Separators
- 2 x 3071 – 12Vac Lock Release

Backbone

- 40 x 2451 – Basic ADS Telephone

General Power Supply

- 1 x 4830 – 18 Vdc 3.5 A Power Supply.
- 1 x 4800 – 12 Vac 1.5 A Power Supply.

Example – 2 ADS Video Panels Direct to 90 B/W monitors

Accesses

- 2 x 2457 – 1 ADS Direct Recess Panel
- 2 x 8028 – B/W Video Camera Module
- 2 x 8613 – S5 Directory Panel
- 4 x 8855 – S5 Flush Mounted Box
- 2 x 8829 – Set of Separators
- 1 x 2450 – ADS Video Changer
- 1 x 3071 – 12 Vac Lock Release

Backbone

- 90 x 3311 – Loft ADS B/W Monitor
- 90 x 3314 – ADS Loft Connector
- 45 x 2448 – 2 Output Video Distributor

General Power Supply

- 3 x 4830 – 18 Vdc 3.5 A Power Supply.
- 1 x 4800 – 12 Vac 1.5 A Power Supply.

Example – 2 Panels, 1 Video and 1 Audio Direct (both) to 90 B/W monitors

Accesses

- 2 x 2457 – 2 ADS Direct Recess Panels
- 1 x 8028 – B/W Video Camera Module
- 2 x 8613 – S5 Directory Panels
- 4 x 8855 – S5 Flush Mounted Box
- 2 x 8829 – Set of Separators
- 2 x 3071 – 12 Vac Lock Release

Backbone

- 90 x 3311 – Loft ADS B/W Monitor
- 90 x 3314 – ADS Loft Connector
- 45 x 2448 – 2 Output Video Distributor

General Power Supply

- 3 x 4830 – 18 Vdc 3.5 A Power Supply.
- 1 x 4800 – 12 Vac 1.5 A Power Supply.

Example – 2 Panels + Central Guard Unit to 90 B/W monitors.

Two panels, one Video and one Audio, ADS **Direct** (both) to 90 B/W monitors

Accesses

- 2 x 2457 – 1 ADS Direct Recess Panel
- 1 x 8028 – B/W Video Camera Module
- 2 x 8613 – S5 Directory Panels
- 1 x 8820 – Landscape Cardholder
- 4 x 8855 – S5 Flush Mounted Box
- 2 x 8829 – Set of Separators
- 1 x 2563 – ADS Citymax Guard Unit
- 1 x 2492 – Guard Unit Connection Module
- 2 x 3071 – 12 Vac Lock Release

Backbone

- 90 x 3311 – ADS Loft B/W Monitor
- 90 x 3314 – ADS Loft Connector
- 45 x 2448 – 2 Output Video Distributor

General Power Supply

- 3 x 4830 – 18 Vdc 3.5 A Power Supply.
- 1 x 4800 – 12 Vac 1.5 A Power Supply

Example – Central Guard Unit to 40 telephone (like a radial intercommunication system).

Accesses

- 1 x 2563 – ADS Citymax Guard Unit

Backbone

- 40 x 2451 – Basic ADS Telephone

General Power Supply

- 1 x 4830 – 18 Vdc 3.5 A Power Supply.

How many of you are asleep?