

ADS
TECHNICAL BOOK

SECTION II - INSTALLATION DIAGRAMS

ADS TECHNICAL BOOK

The technical book is amde of three sections:

- Section I: ADS System Description (Cod. 94725Id-1)
- Section II: Instalation Diagrams (Cod. 94725Id-2)
- Section III: Extensions (Cod. 94725Id-3)

ADS Technical Book - Section II
Code 94725Id-2 V11_06

This technical document is edited by FERMAX ELECTRÓNICA S.A.E. for information purposes, reserving the right to modify technical features of the products cited at any time and with no prior notice. These changes shall be reflected in subsequent editions.

INDEX
SECTION II - INSTALLATION DIAGRAMS

ADS SYSTEM BASIC INSTALLATION STEPS 5

INCIDENTS AND SOLUTIONS TABLE 6

ADS DIAGRAMMATIC STRUCTURE 7

INSTALLATION DIAGRAMS 9

PANEL INTERNAL WIRING DIAGRAMS 11

- ADS City and Citymax panel prewiring 12
- Call Extension Module connection in City panels 13
- ADS City Kit panel prewiring 14
- ADS Direct panel prewiring 15
- ADS Digital panel prewiring 16

ELECTRIC LOCK CONNECTION 17

- DC Electric Lock connection 18
- AC Electric Lock connection 18

STREET DIAGRAMS 19

- ADS City panel street diagrams 21
 - One Audio access 22
 - Two Audio accesses 23
 - One Video access 24
 - Two Video accesses 25
 - One Audio access + one Video access 26
- ADS Direct panel street diagrams 27
 - One Audio access 28
 - Two Audio accesses 29
 - One Video access 30
 - Two Video accesses 31
 - One Audio access + one Video access 32
 - One Direct Panel Video access + one City Panel Video access 33
- ADS Halo panel street diagrams 35
 - One Audio access 36
 - Two Audio accesses 37
- ADS Guard Unit 39
 - General diagram 40, 41
 - Intercommunication 42

DISTRIBUTION DIAGRAM 43

- 2-branch distribution 44
- 4-branch distribution 44

FLOOR DIAGRAMS 45

- Telephones in distribution 46
- Monitors in cascade 47, 48
- Monitors in cascade with additional power supply 49, 50
- Monitors in distribution 51
- Monitors and telephones in distribution 52
- Monitors in distribution with additional power supply 53

ADS System basic installation steps

Below is a step-by step guide to ADS system installation:

* **Wiring installation**

- Electronic entry installation: 3 wires.
- Video entry installation: 3 wires + coaxial.

Depending on the power supply location, number of panels and the electric lock (AC/DC) an additional wire may be necessary (see wiring diagram for the corresponding installation).

* **Installing components**

- Power supply:
 - Install the power supply indoors and protected from possible manipulations.
 - Check that the power supply is suitable for the installation to be made.
 - If an additional power supply is required, it is necessary to unify negatives and separate positives (see wiring diagrams).
- Panels:
 - In installations with 2 panels, configure one panel as Main (with jumper) and another as Secondary (without jumper). See ADS amplifier details.
- Door release:
 - Check the type of electric lock in the installation: voltage (AC or DC) and its consumption, so that you can gauge the power needed for the installation correctly and select the most suitable power supply.
- ADS switcher:
 - Only necessary in installations with two video accesses.
- Video distributors:
 - Necessary in video installations, to distribute the video signal to all the homes.
 - The distributors have a built-in 75-ohm charge resistance, which will need to be cut only when output number 1 is being used.
- Home terminals: monitors or telephones:
 - If additional equipment is to be installed in the home, an additional power supply may be needed.
- Line end resistance:
 - In standard installations, do not forget to fit a 10 Kohm resistance at the end of the ADS line (see wiring diagrams).
 - Depending on the topology of the installation (installations with several branches...), the value of the resistance may vary.

* **Programming home terminals:**

Program the telephones or monitors to assign them the pushbutton or call code from the panel.
The terminals can only be programmed from the Main Panel.

* **Check operation of the installation and make the necessary panel adjustments.**

Adjust the door release timings, the telecamera pan&tilt, and the home-outdoor panel and panel-home audio levels, voice synthesis language, etc...

Incidents and Solutions Table

This section indicates how to resolve the most common incidents that may arise during installation of an ADS system. Our Technical Department is at your service to solve any problem that might come up. Please do not hesitate to consult us.

SYMPTOM	POINTS TO CHECK
<ul style="list-style-type: none"> • Does not enter programming mode. • Auto-on not working. 	<ul style="list-style-type: none"> - Negative section. Increase. - Distance between panel and monitor. Increase section or add additional power supply. - Power supply location. Maximum distance to panel: 30 metres. Increase section or add additional power supply.
<ul style="list-style-type: none"> • Does not enter programming. • Auto-on is working. 	<ul style="list-style-type: none"> - Resistance 10 KOhms. - Distance between panel and monitor. Increase section or add additional power supply. - Check that the panel is configured as Main Panel.
<ul style="list-style-type: none"> • No call, but monitoring in the panel. • When the call button is pressed, the Diagnostic LED does NOT light up at all. 	<ul style="list-style-type: none"> - Check that the monitor is switched on. - Check «L» wire. - Monitor badly programmed. Program it again
<ul style="list-style-type: none"> • No call, but monitoring in the panel. • When the call button is pressed, the Diagnostic LED emits short flashes. 	<ul style="list-style-type: none"> - Short circuit between «L» and «+».
<ul style="list-style-type: none"> • The panel continuously emits a series of short beeps. 	<ul style="list-style-type: none"> - Short circuit between «L» and «-».
<ul style="list-style-type: none"> • Audio very weak, or feedback that cannot be eliminated with the audio control potentiometers. 	<ul style="list-style-type: none"> - Resistance 10 KOhms. There must only be one resistance in the monitor furthest away.
<ul style="list-style-type: none"> • Door release/electric lock not working properly. 	<ul style="list-style-type: none"> - Make sure that you are using a suitable door release (AC or DC depending on the power supply used) - Increase the negative section. - Distance between panel and monitor. Increase section or add additional power supply. - Power supply location. Maximum distance to panel: 30 metres. Increase section or add additional power supply.

ADS DIAGRAMS. Structure

The installation of ADS systems is characterised by simplified wiring installations:

- Electronic Entry System: 3 wires.
- Video Entry System: 3 wires + coaxial.

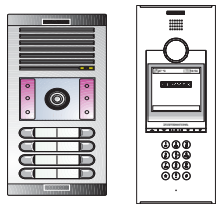

ADS systems do not require the typical call wire for each telephone or monitor needed by traditional systems. The call from the panel is converted into a digital signal, which is sent by a common wire. This digital signal is only recognised by the telephone or monitor that has been programmed to do so, generating the corresponding audible call signal.

To this end, and to achieve maximum modularity, this Technical Book presents a series of diagrams, divided according to the following criteria:



- * **Panel internal wiring diagrams**
Internal wiring diagrams of the different ADS system panels
- * **Electric lock connection diagrams**
Diagrams of the wiring between panel and door release/electric lock depending on type: AC or DC.
- * **Street diagrams**
Represent the components installed at the entrance or entrances to the building, in their multiple versions: electronic entry, video entry, one entrance, two entrances, guard unit, etc.
- * **Distribution diagrams**
Represent an intermediate step between the street and floor diagrams, only for those cases where the installation is done with distribution in several branches.
- * **Floor diagrams**
Represent the components that are installed on the landings and in the homes in the building, in their multiple possibilities: distribution in cascade, by floor, insertion of an additional power supply, etc.

Any **Street diagram** may be combined with any **Floor diagram** as long as the **Compatibility symbol** included in each diagram so indicates (see tables below and example on the following page). With the combination of these diagrams we manage to cover practically all possible combinations that might be needed in standard installations.

Compatibility Symbols in Street Diagrams

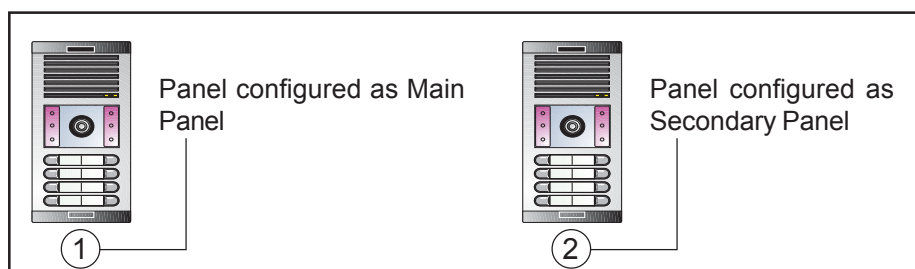
	Compatible with all Floor diagrams for: * ELECTRONIC ENTRY * VIDEO ENTRY
	Compatible only with Floor diagrams for: * ELECTRONIC ENTRY

Compatibility Symbols in Floor Diagrams

	Compatible with all Street diagrams for: * ELECTRONIC ENTRY * VIDEO ENTRY
	Compatible only with Street diagrams for: * ELECTRONIC ENTRY

These diagrams are complemented with other, optional ones: ADS Guard Unit, extending functions in monitors and telephones, additional equipment, etc.

Main and Secondary Panel Symbols



Example:

Video entry system diagram from a building with two entries, one of them a video entry and the other electronic entry, with distribution by floor of 4 branches in cascade. We select the ADS CITY system.

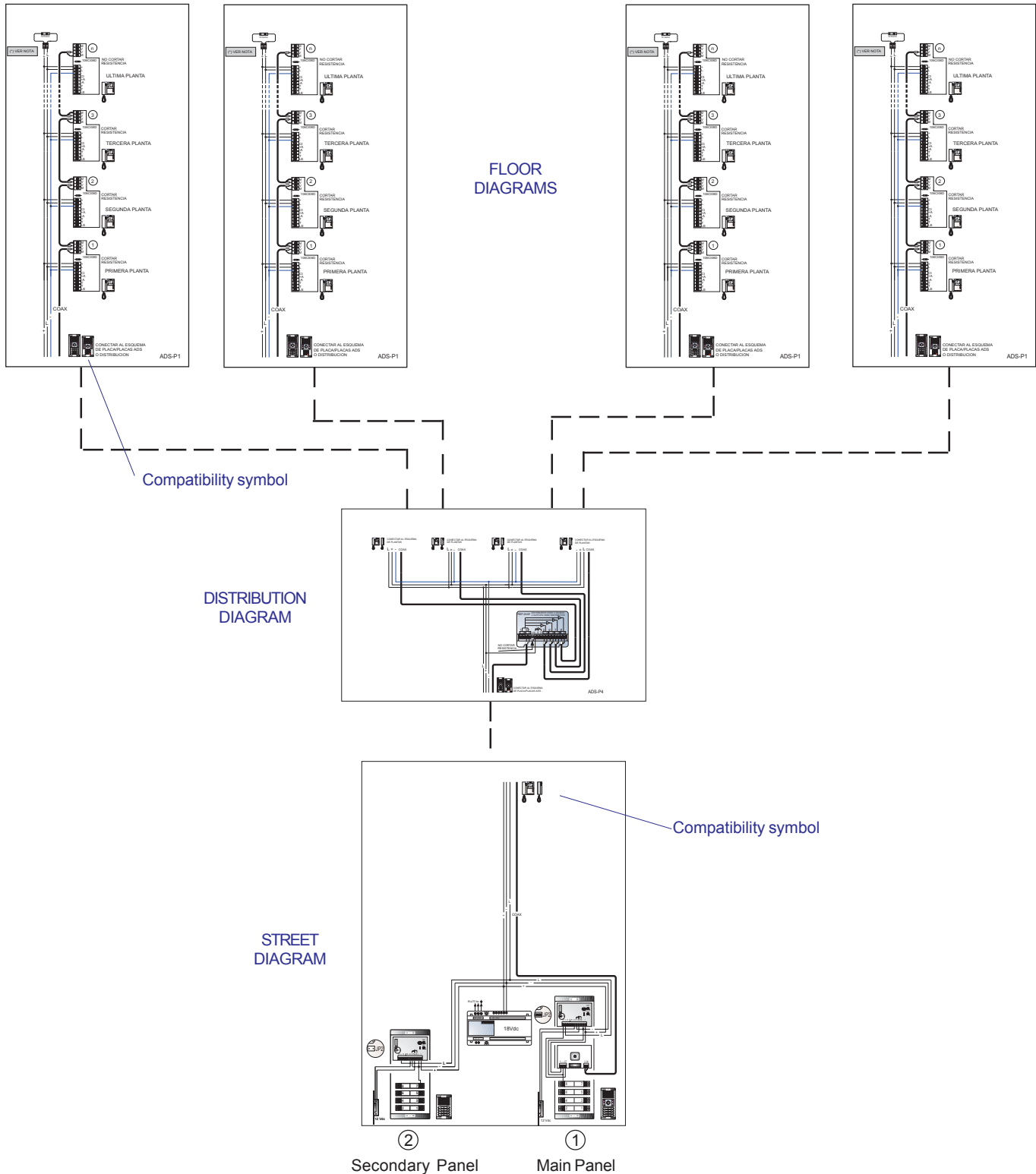
We would combine the following diagrams:

- Street diagram:** ELECTRONIC ENTRY ACCESS + VIDEO ENTRY ACCESS
- Floor diagram:** MONITORS IN CASCADE. We shall use one per branch.

As distribution is in branches, we shall also need:

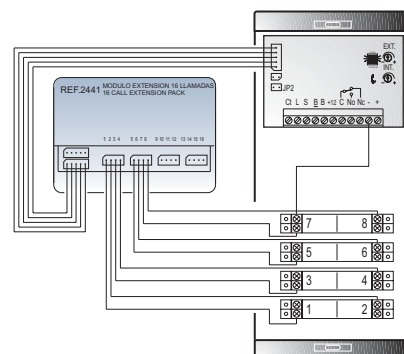
- Distribution diagram:** 4-BRANCH DISTRIBUTION

The complete diagram would be like this:

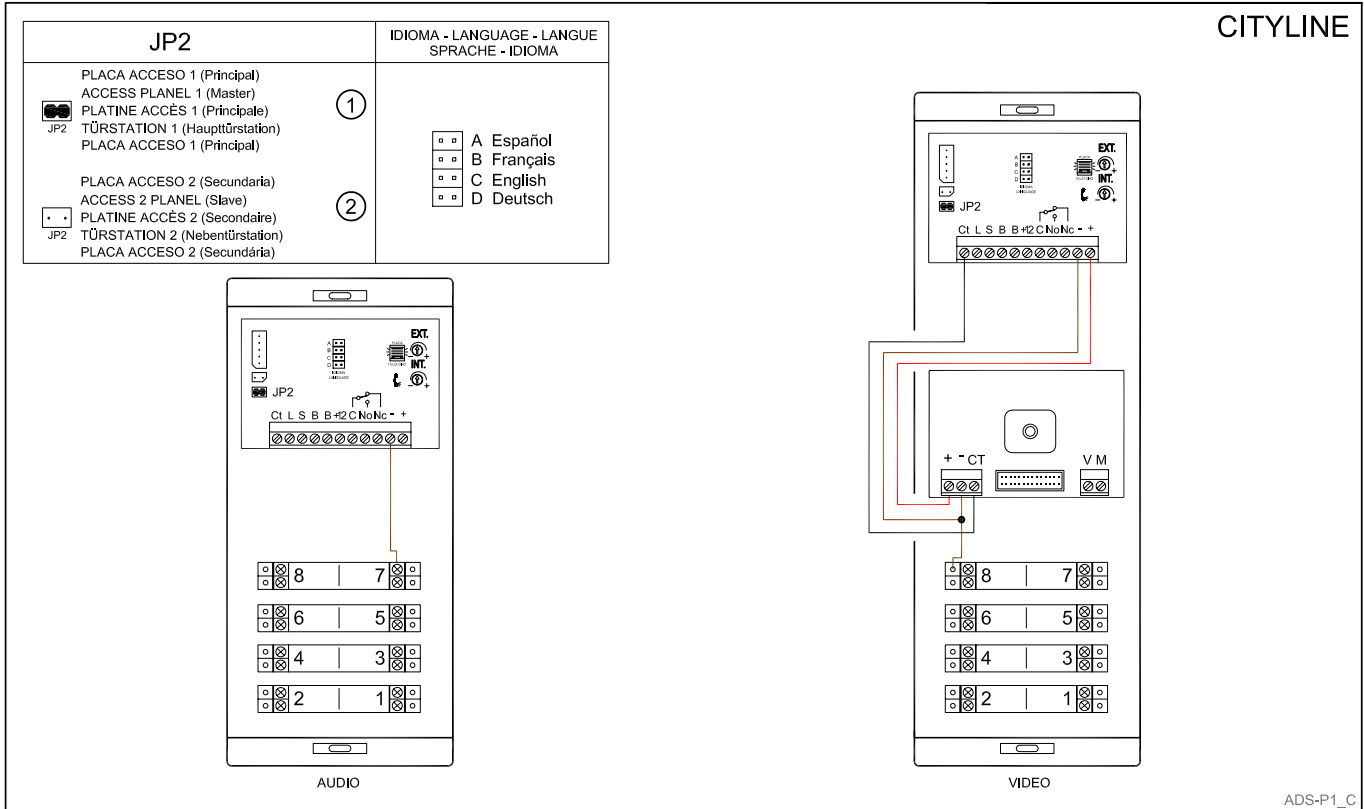


***ESQUEMAS DE INSTALACIÓN
INSTALLATION DIAGRAMAS
SCHÉMAS D'INSTALLATION
INSTALLATIONSSCHALTPLÄNE
PRÉ-CABLAGE DE PLACAS***

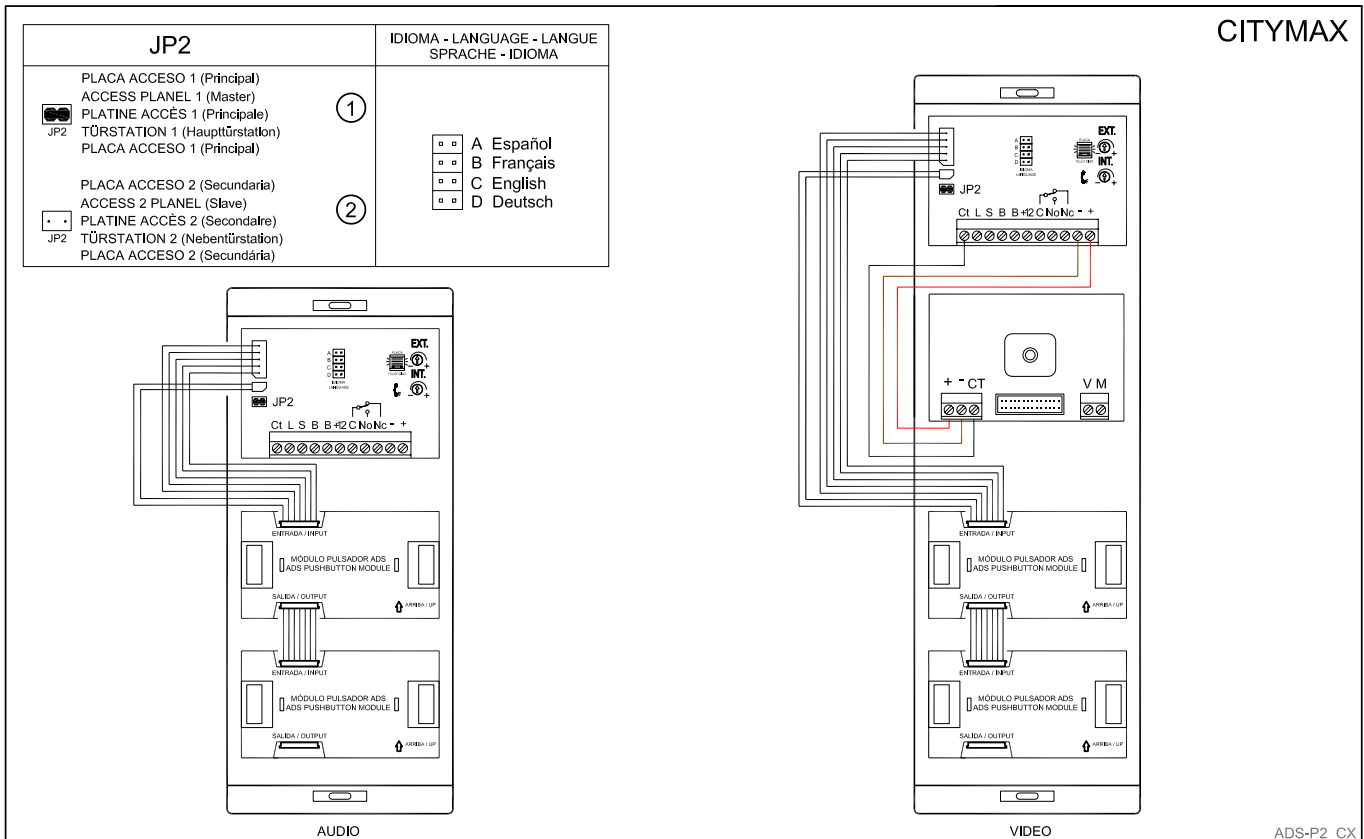
**PRECABLEADO PLACAS
 PANELS FACTORY DIAGRAMS
 PRÉCABLÉ DES PLATINES
 TÜRSTATIONEN VERKABELUNG
 PRÉ-CABLAGEM DE PLACAS**



PRECABLEADO PLACAS ADS CITY - ADS CITY PANELS FACTORY WIRING PRÉCABLÉ PLATINES ADS CITY - VERKABELUNG ADS CITY TÜRSTATIONEN PRÉ-CABLAGE PLACAS ADS CITY

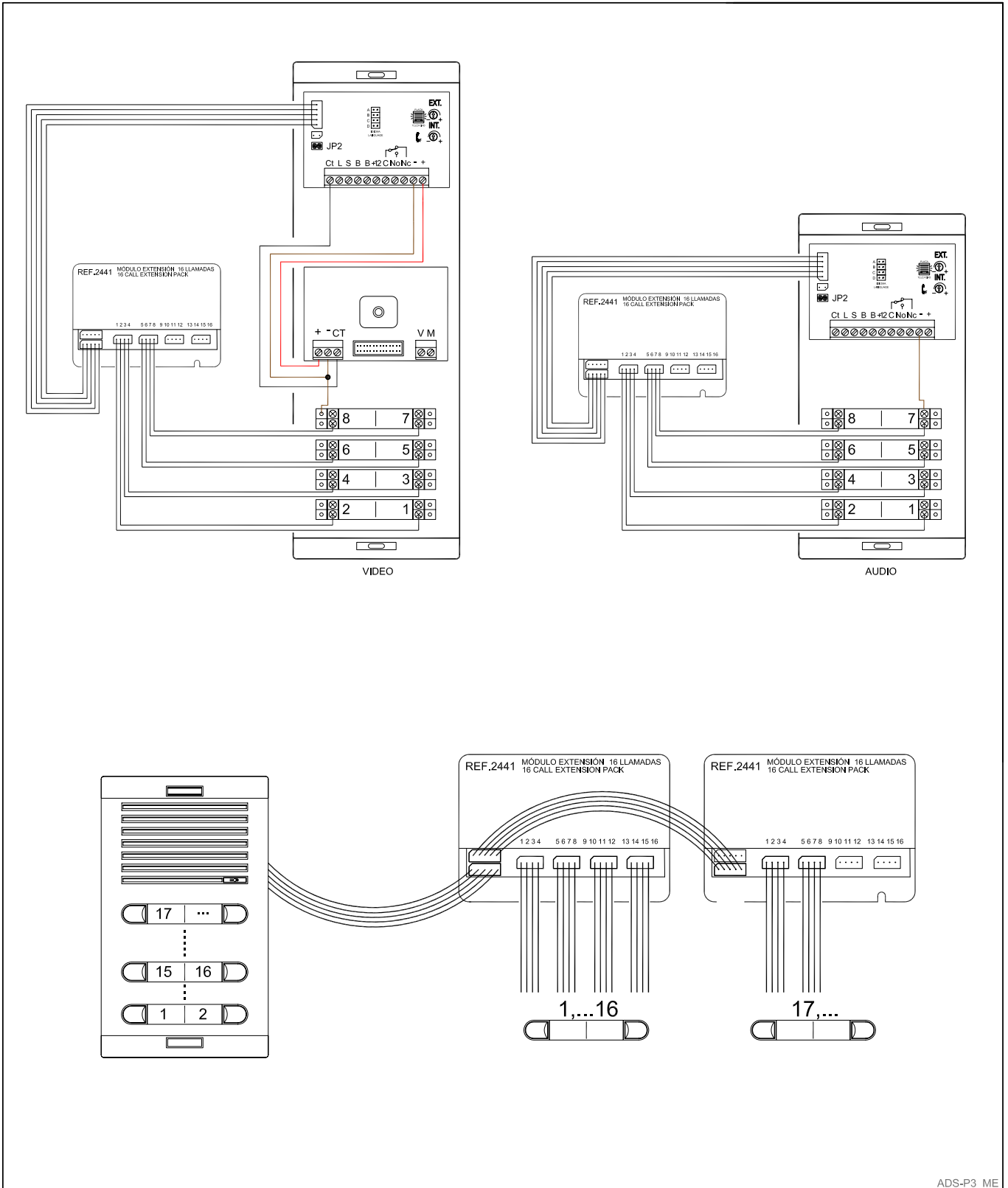


ADS-P1_C



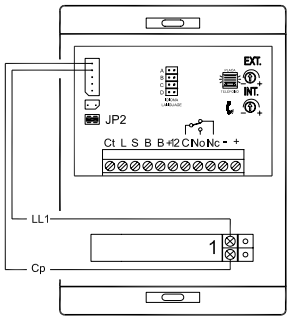
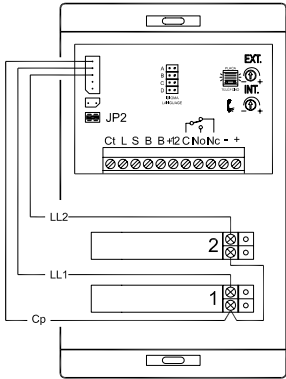
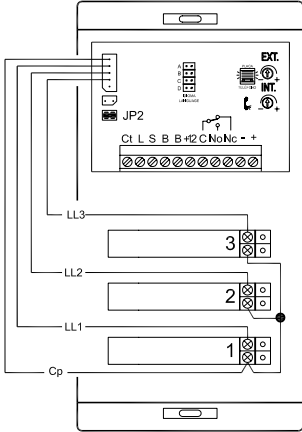
ADS-P2_CX

CONEXIÓN MODULO EXTENSION DE LLAMADAS EN PLACAS ADS CITY
 ADS CITY PANELS CALL EXTENSION MODULE CONNECTION
 CONEXION MODULE EXTENSION D'APPELS EN PLATINES ADS CITY
 ANSCHLUSS VON CALL EXTENSION MODULEN ZU ADS CITY TÜRSTATIONEN
 LIGAÇÃO DO MÓDULO DE EXTENSÃO DE CHAMADAS EM PLACAS ADS CITY



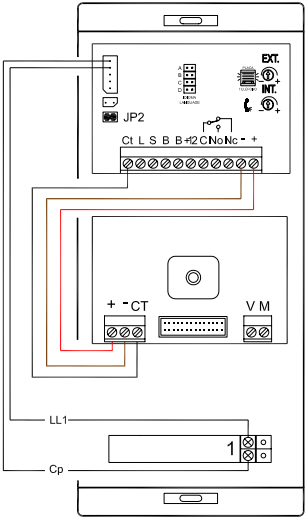
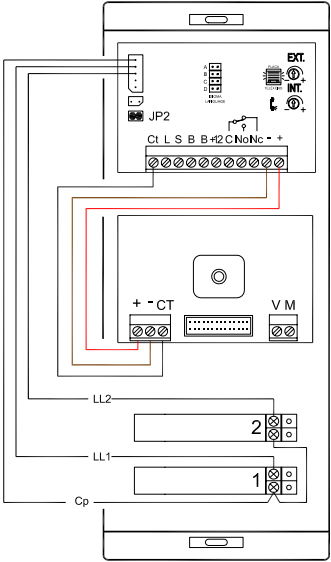
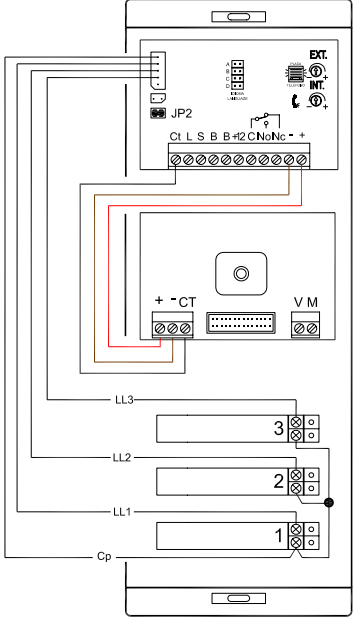
PRECABLEADO PLACAS DE KIT ADS CITY - ADS KIT PANEL FACTORY WIRING PRÉCABLÉ PLATINES DE KIT ADS CITY - VERKABELUNG VON ADS CITY KIT-TÜRSTATIONEN PRÉ-CABLAGE PLACAS DE KIT ADS CITY

JP2	IDIOMA - LANGUAGE - LANGUE SPRACHE - IDIOMA	KIT AUDIO
<p>PLACA ACCESO 1 (Principal) ACCESS PLANEL 1 (Master) PLATINE ACCÈS 1 (Principale) TÜRSTATION 1 (Haupttürstation) PLACA ACCESO 1 (Principal)</p> <p style="text-align: right;">①</p>	<p>□ □ A Español □ □ B Français □ □ C English □ □ D Deutsch</p>	
<p>PLACA ACCESO 2 (Secundaria) ACCESS 2 PLANEL (Slave) PLATINE ACCÈS 2 (Secondaire) TÜRSTATION 2 (Nebentürstation) PLACA ACCESO 2 (Secundaria)</p> <p style="text-align: right;">②</p>		

ADS-P4_KA

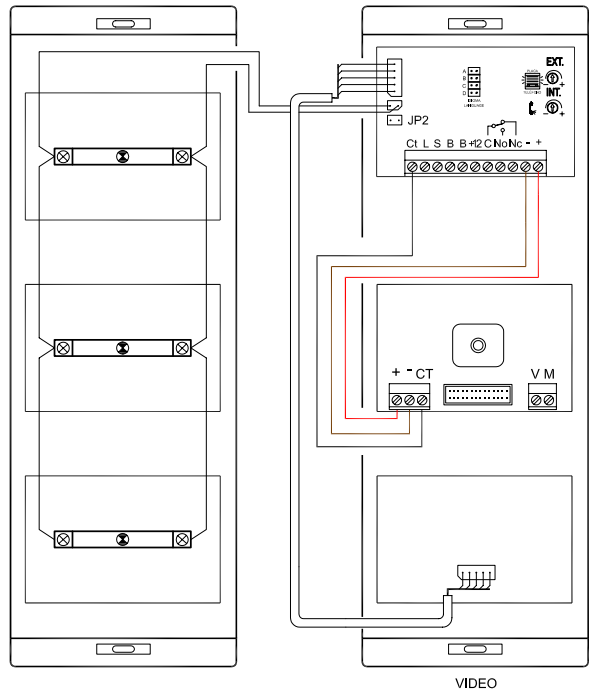
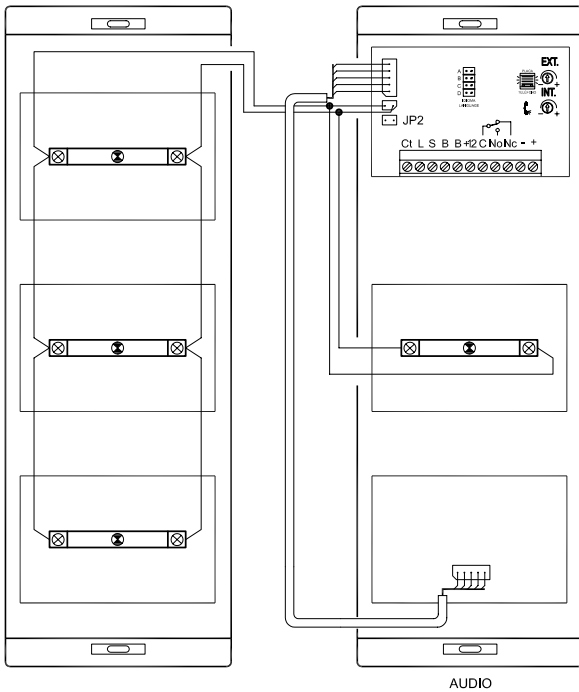
KIT VIDEO

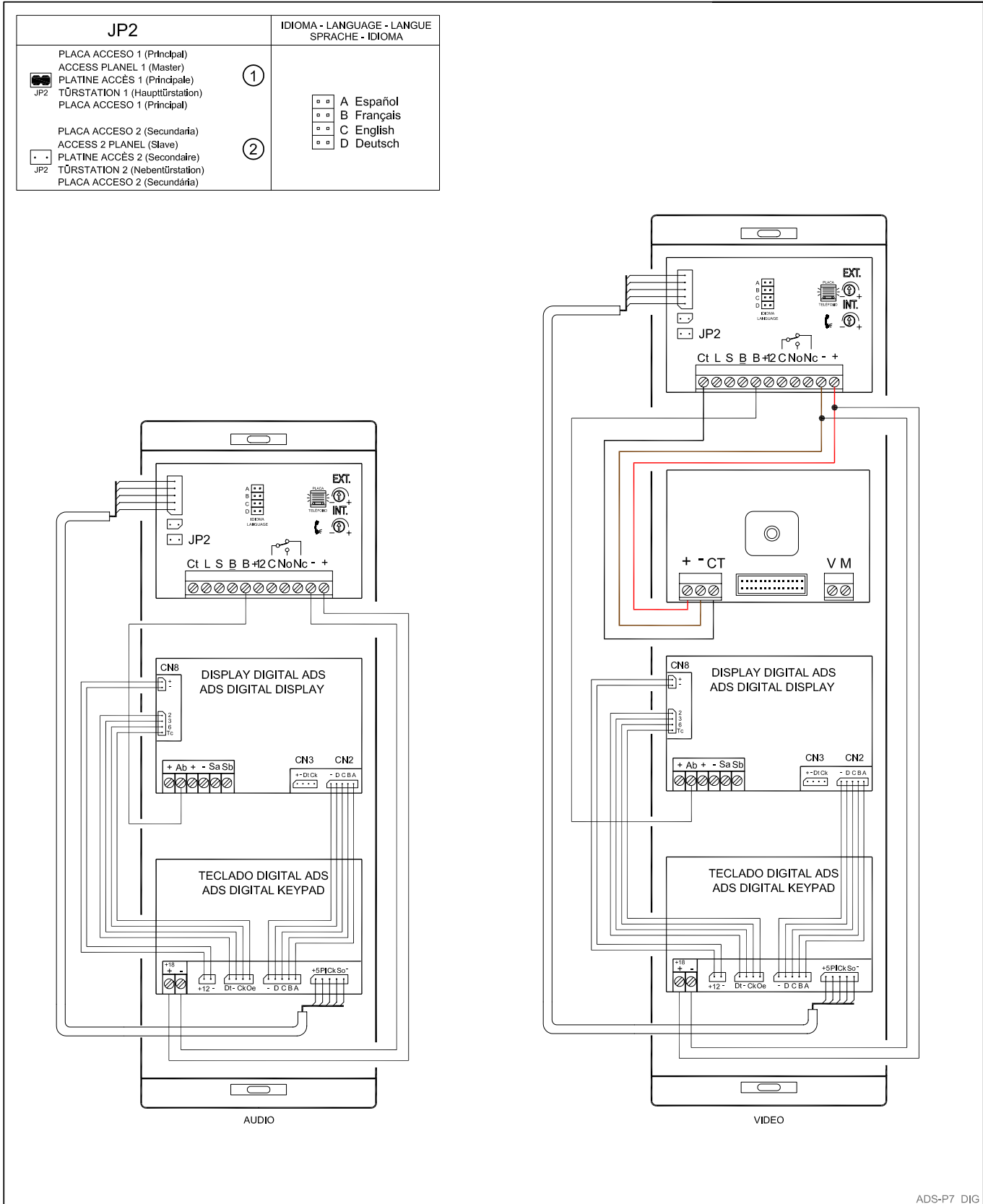
ADS-P5_KV

PRECABLEADO PLACAS ADS DIRECT - ADS DIRECT PANEL FACTORY WIRING PRÉCABLÉ PLATINES ADS DIRECT - VERKABELUNG VON ADS DIRECT TÜRSTATIONEN PRÉ-CABLAGE PLACAS ADS DIRECT

JP2		IDIOMA - LANGUAGE - LANGUE SPRACHE - IDIOMA
PLACA ACCESO 1 (Principal) ACCESS PLANEL 1 (Master) PLATINE ACCÈS 1 (Principale) TÜRSTATION 1 (Haupttürstation) PLACA ACCESO 1 (Principal)	①	<input type="checkbox"/> A Español <input type="checkbox"/> B Français <input type="checkbox"/> C English <input type="checkbox"/> D Deutsch
PLACA ACCESO 2 (Secundaria) ACCESS PLANEL 2 (Slave) PLATINE ACCÈS 2 (Secondaire) TÜRSTATION 2 (Nebentürstation) PLACA ACCESO 2 (Secundária)	②	



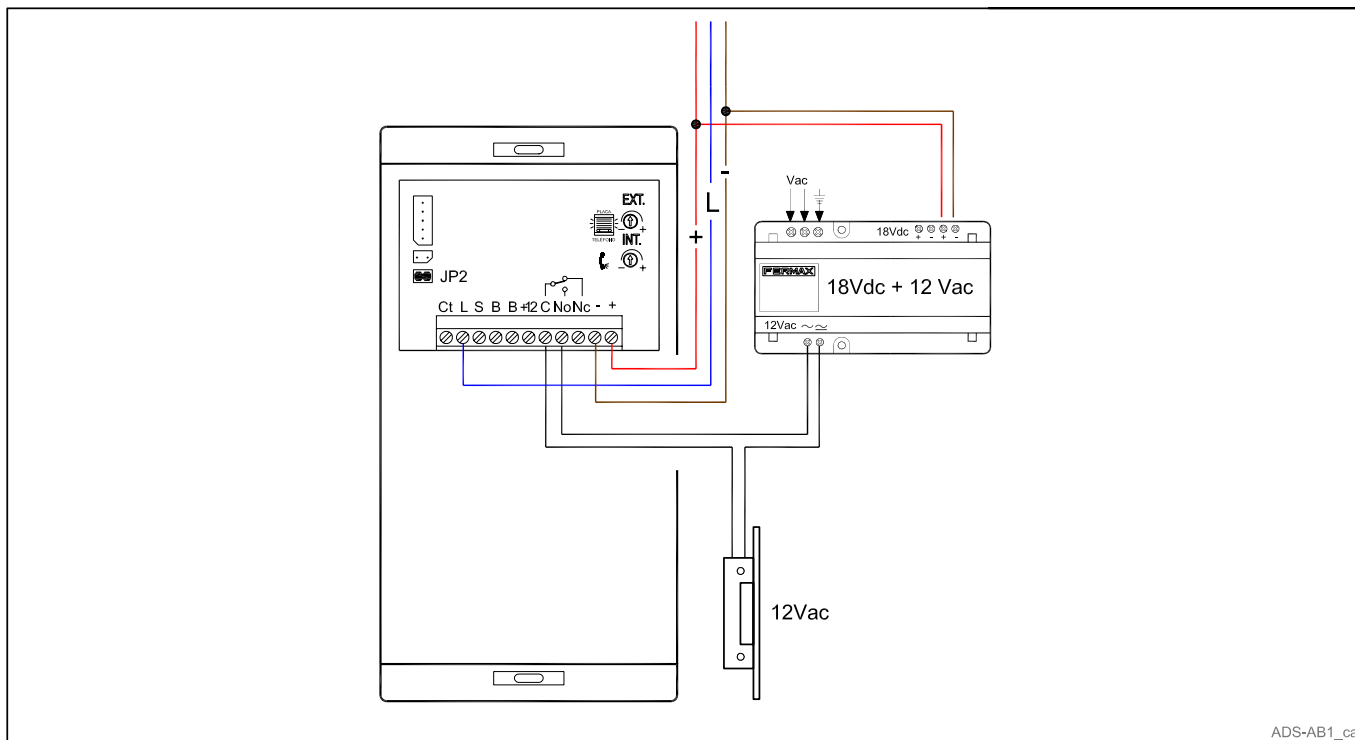
PRECABLEADO PLACAS ADS DIGITAL - ADS DIGITAL PANEL FACTORY WIRING PRÉCABLÉ PLATINES ADS DIGITAL - VERKABELUNG ADS DIGITAL TÜRSTATIONEN PRÉ-CABLAGE PLACAS ADS DIGITAL



**CONEXIÓN ABREPUERTAS
ELECTRIC LOCK CONNECTION
CONEXION DES GÂCHES
VERBINDUNG DES TÜRÖFFNERS
LIGAÇÃO DO TRINCO**

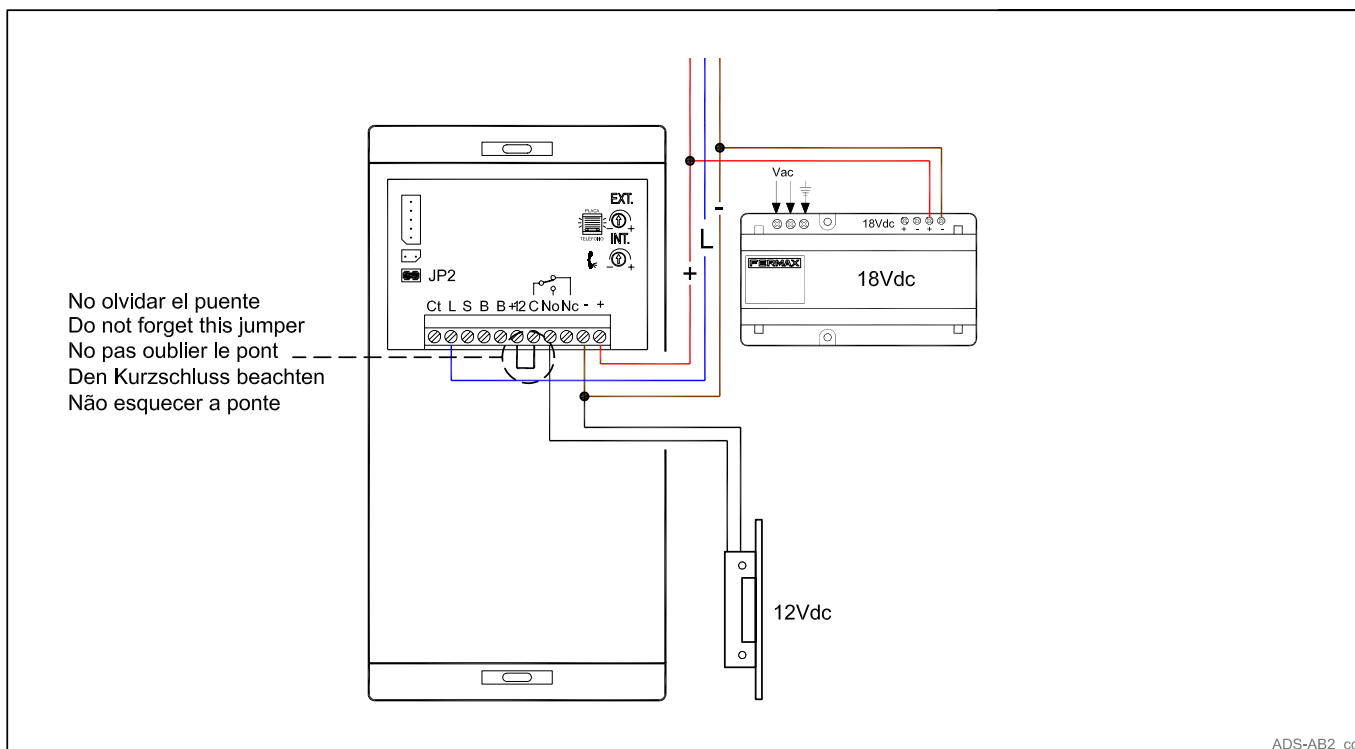


CONEXIÓN ABREPUERTAS DE ALTERNA - AC LOCK CONNECTION
 CONEXION GÂCHE EN COURANT ALTERNATIF
 VERBINDUNG EINES WECHSELSPANNUNG TÜRÖFFNERS
 LIGAÇÃO TRINCOS DE CORRENTE ALTERNA



ADS-AB1_ca

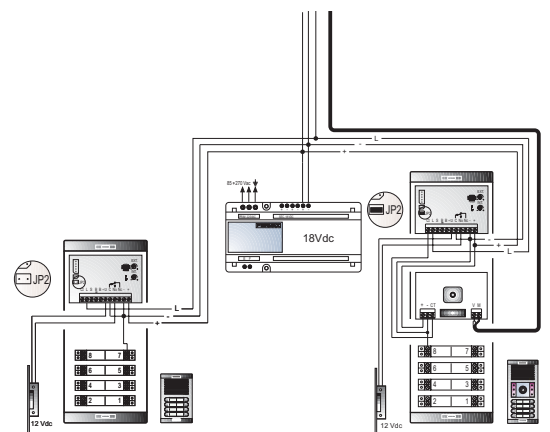
CONEXIÓN ABREPUERTAS DE CONTÍNUA - DC LOCK CONNECTION
 CONEXION GÂCHE EN COURANT CONTINU
 VERBINDUNG EINES GLEICHSPANNUNG TÜRÖFFNERS
 LIGAÇÃO TRINCOS DE CORRENTE CONTÍNUA



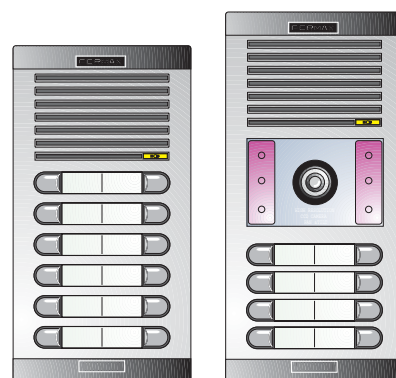
No olvidar el puente
 Do not forget this jumper
 No pas oublier le pont
 Den Kurzschluss beachten
 Não esquecer a ponte

ADS-AB2_cc

**ESQUEMAS DE CALLE
 OUTDOORS DIAGRAMS
 SCHÉMAS DE RUE
 SCHALTPLÄNE
 ESQUEMAS DE RUA**

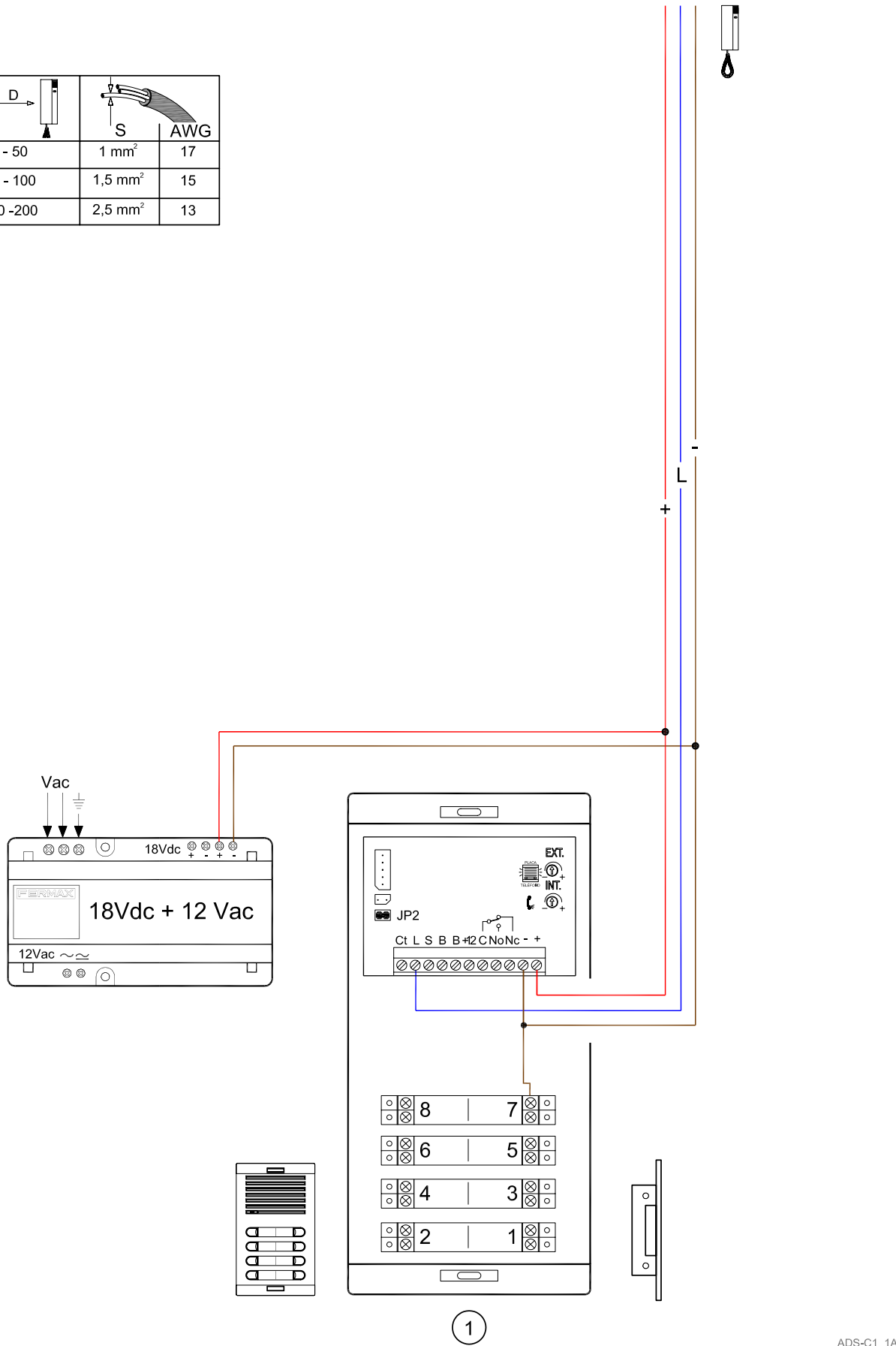


***ESQUEMAS DE CALLE ADS CITY
OUTDOORS CITY ADS DIAGRAMS
SCHÉMAS DE RUE ADS CITY
ADS CITY SCHALTPLÄNE
ESQUEMAS DE RUA ADS CITY***



ADS CITY - AUDIO

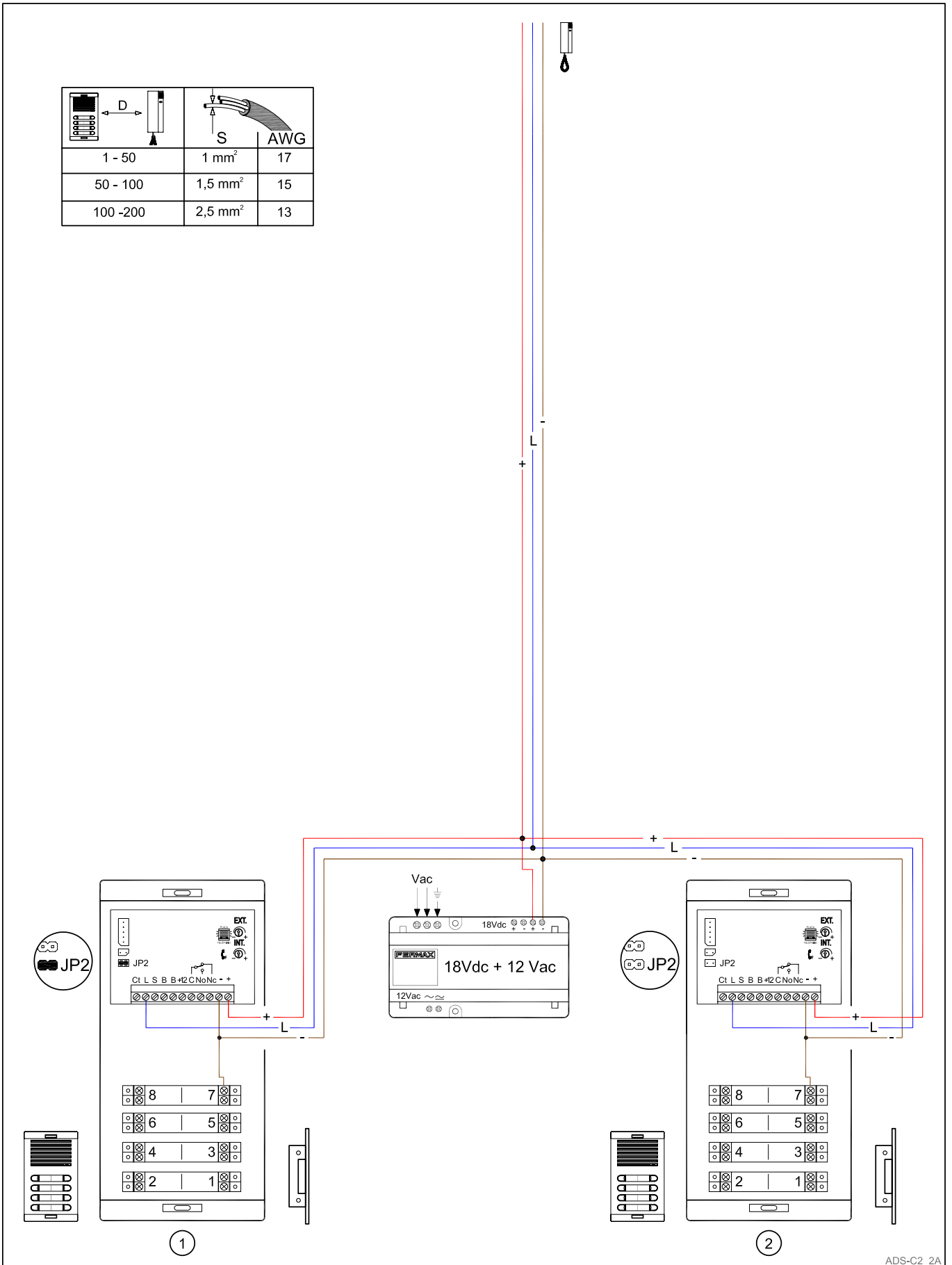
	D	S	AWG
1 - 50		1 mm ²	17
50 - 100		1,5 mm ²	15
100 - 200		2,5 mm ²	13



1

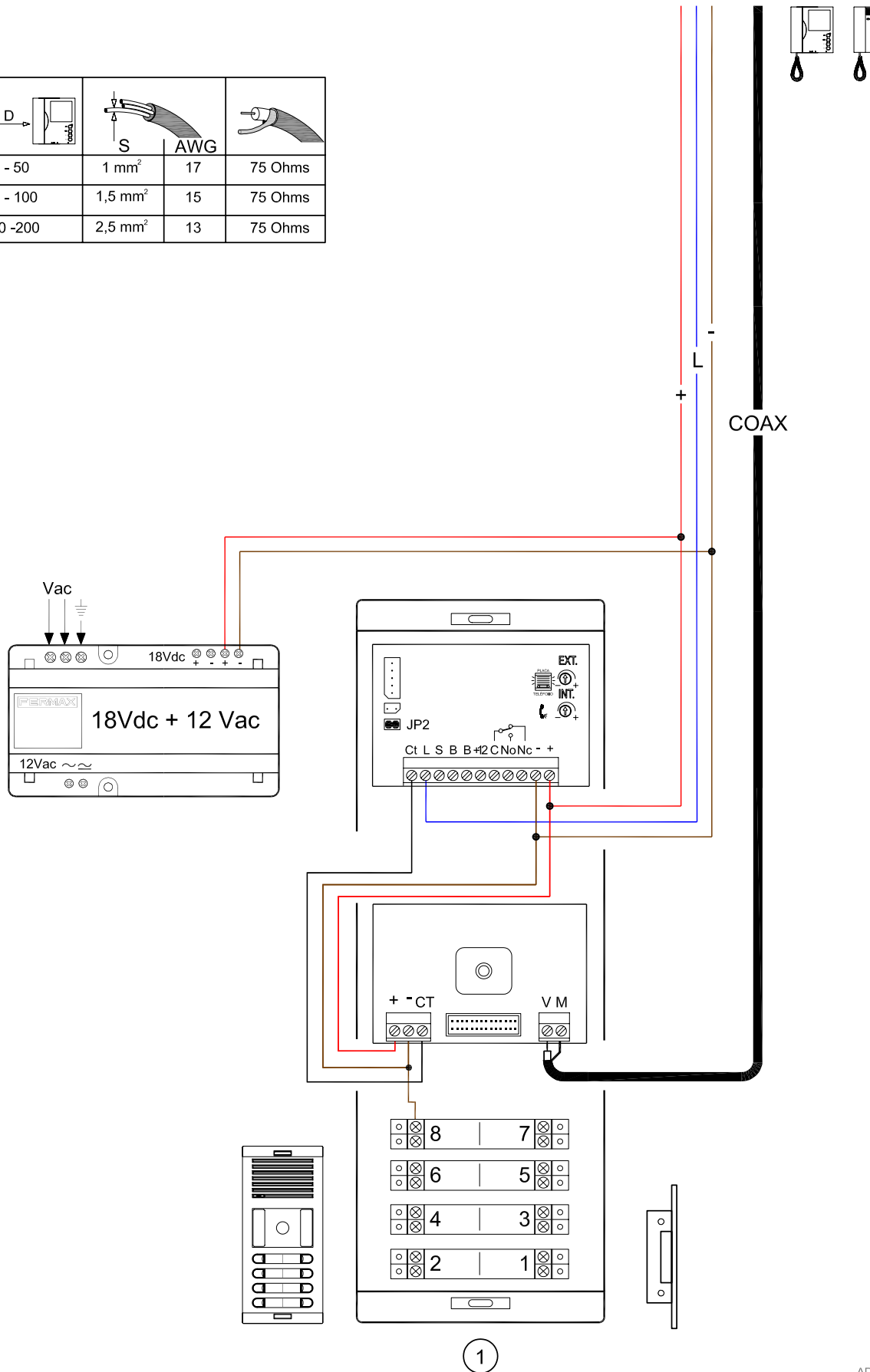
ADS CITY - AUDIO x 2

	D	S	AWG
1 - 50		1 mm ²	17
50 - 100		1,5 mm ²	15
100 -200		2,5 mm ²	13



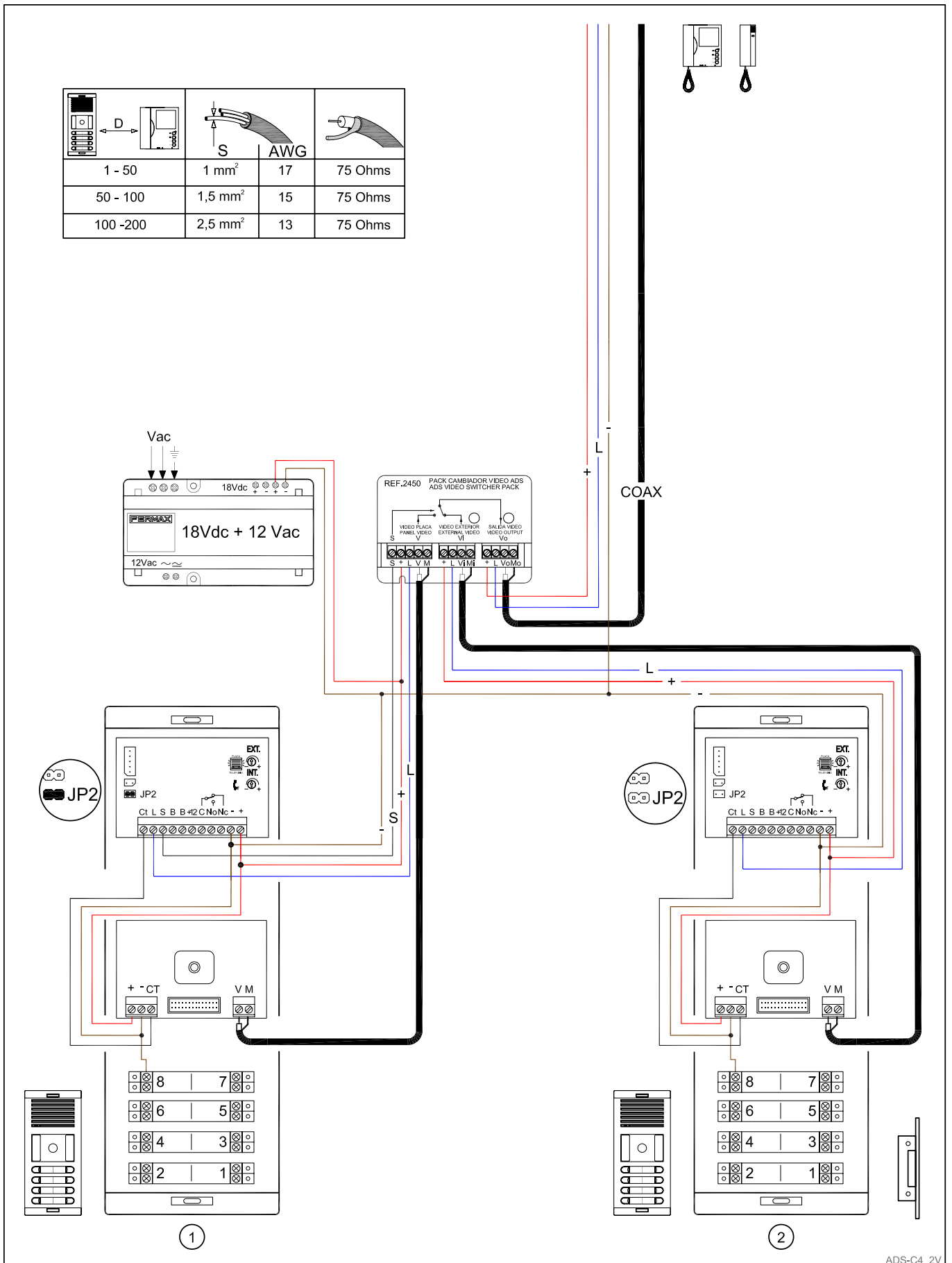
ADS CITY - VIDEO

	D	S	AWG	
1 - 50		1 mm ²	17	75 Ohms
50 - 100		1,5 mm ²	15	75 Ohms
100 - 200		2,5 mm ²	13	75 Ohms



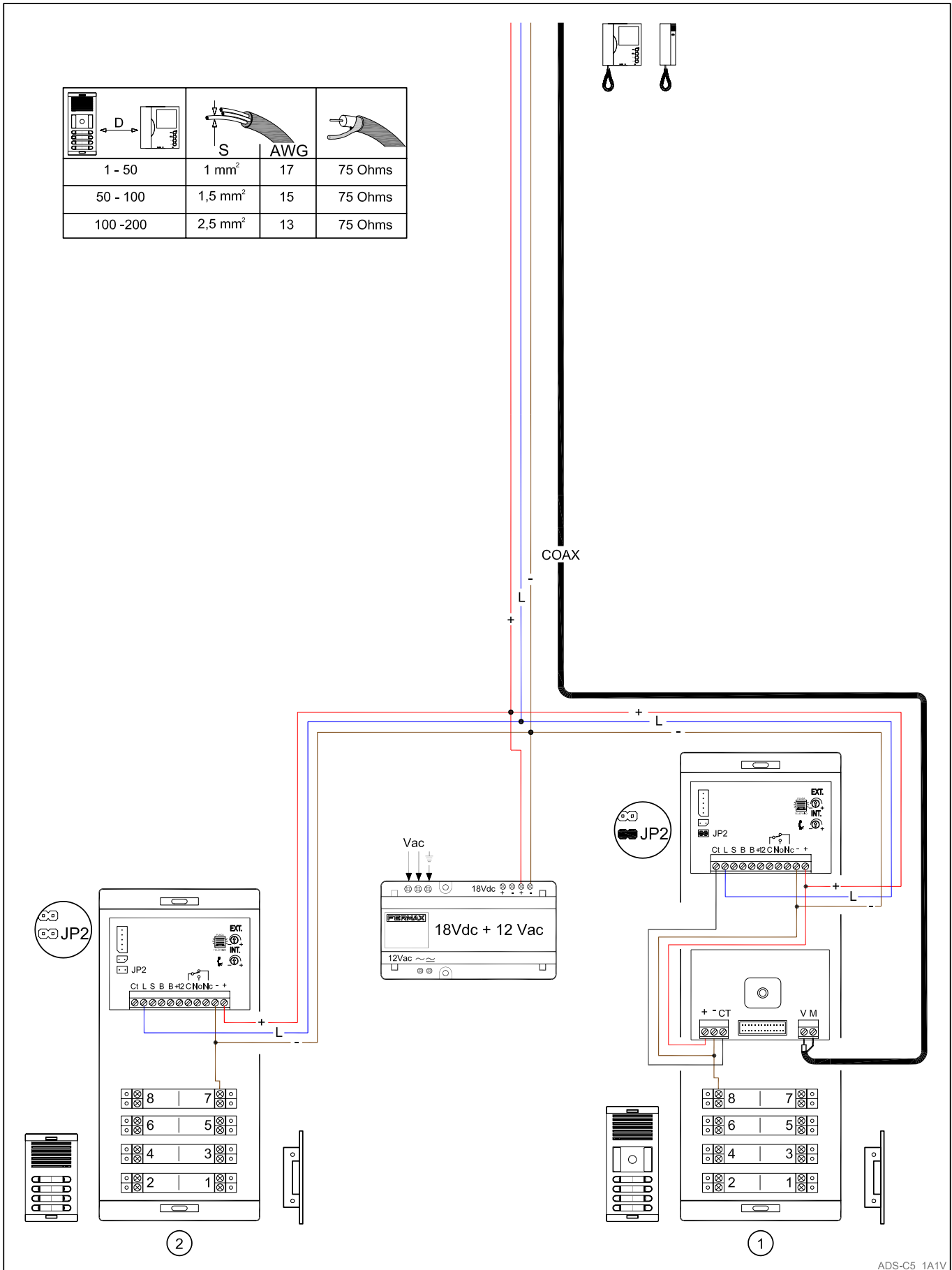
ADS CITY - VIDEO x 2

1 - 50	1 mm ²	17	75 Ohms
50 - 100	1,5 mm ²	15	75 Ohms
100 -200	2,5 mm ²	13	75 Ohms



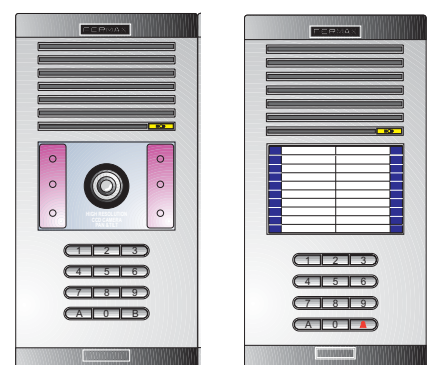
ADS CITY - AUDIO + VIDEO

	D	S	AWG	
1 - 50		1 mm ²	17	75 Ohms
50 - 100		1,5 mm ²	15	75 Ohms
100 - 200		2,5 mm ²	13	75 Ohms



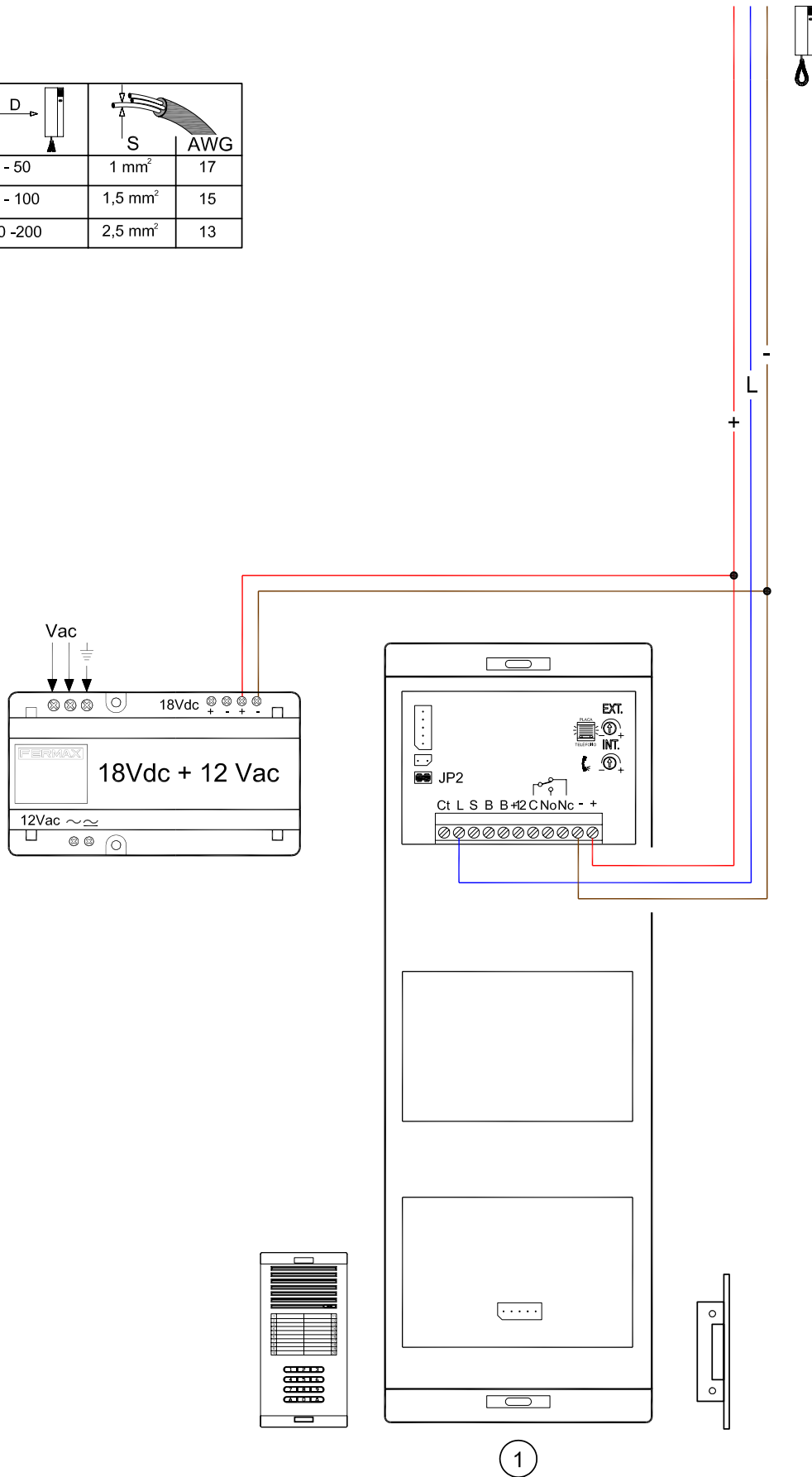
ADS-C5_1A1V

***ESQUEMAS DE CALLE ADS DIRECT
 OUTDOORS DIRECT ADS DIAGRAMS
 SCHÉMAS DE RUE ADS DIRECT
 ADS DIRECT SCHALTPLÄNE
 ESQUEMAS DE RUA ADS DIRECT***



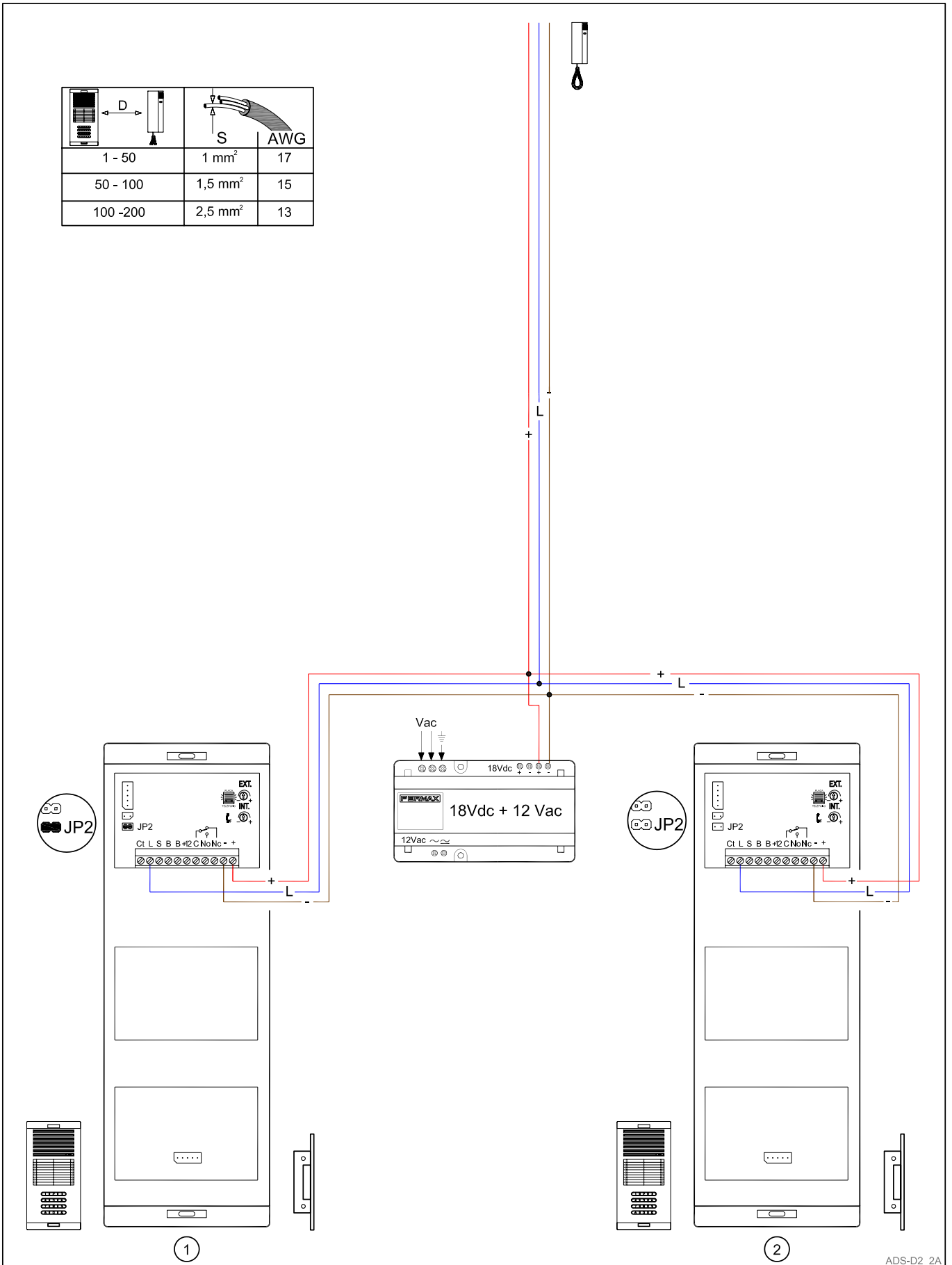
ADS DIRECT - AUDIO

	D	S	AWG
1 - 50		1 mm ²	17
50 - 100		1,5 mm ²	15
100 - 200		2,5 mm ²	13



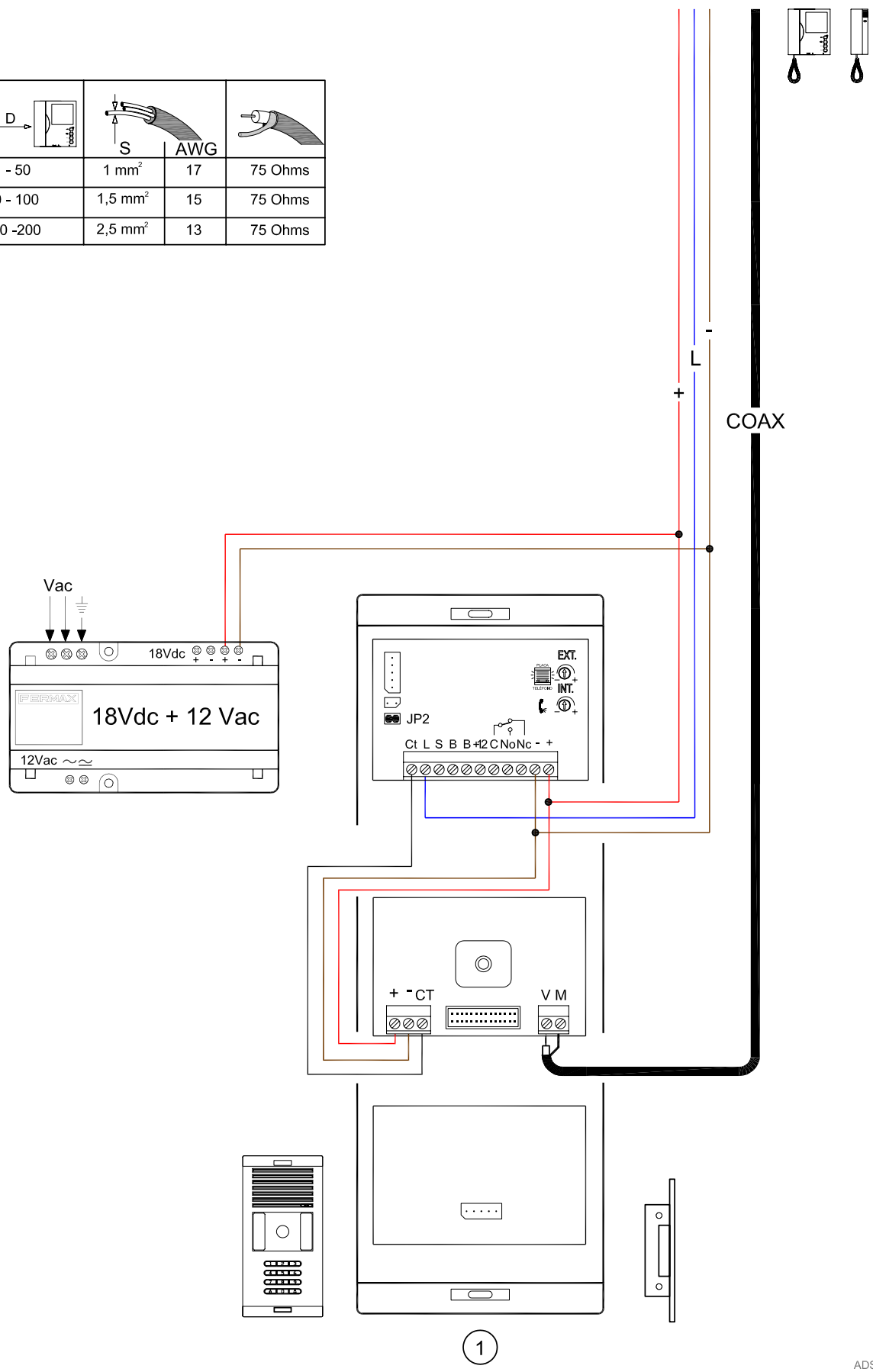
ADS DIRECT - AUDIO x 2

	D	S	AWG
1 - 50		1 mm ²	17
50 - 100		1,5 mm ²	15
100 -200		2,5 mm ²	13



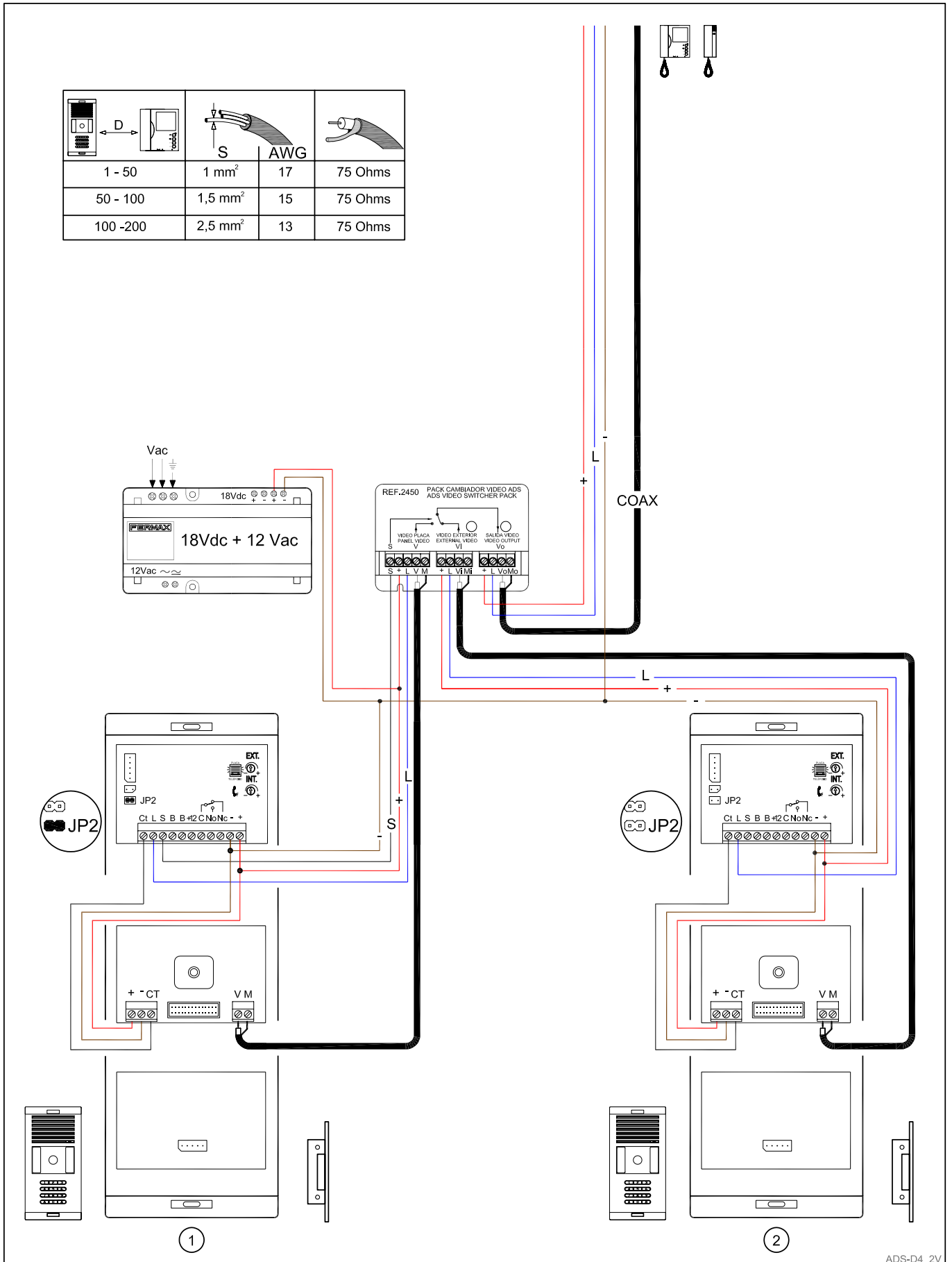
ADS DIRECT - VIDEO

	D	S	AWG	
1 - 50			17	75 Ohms
50 - 100			15	75 Ohms
100 - 200			13	75 Ohms



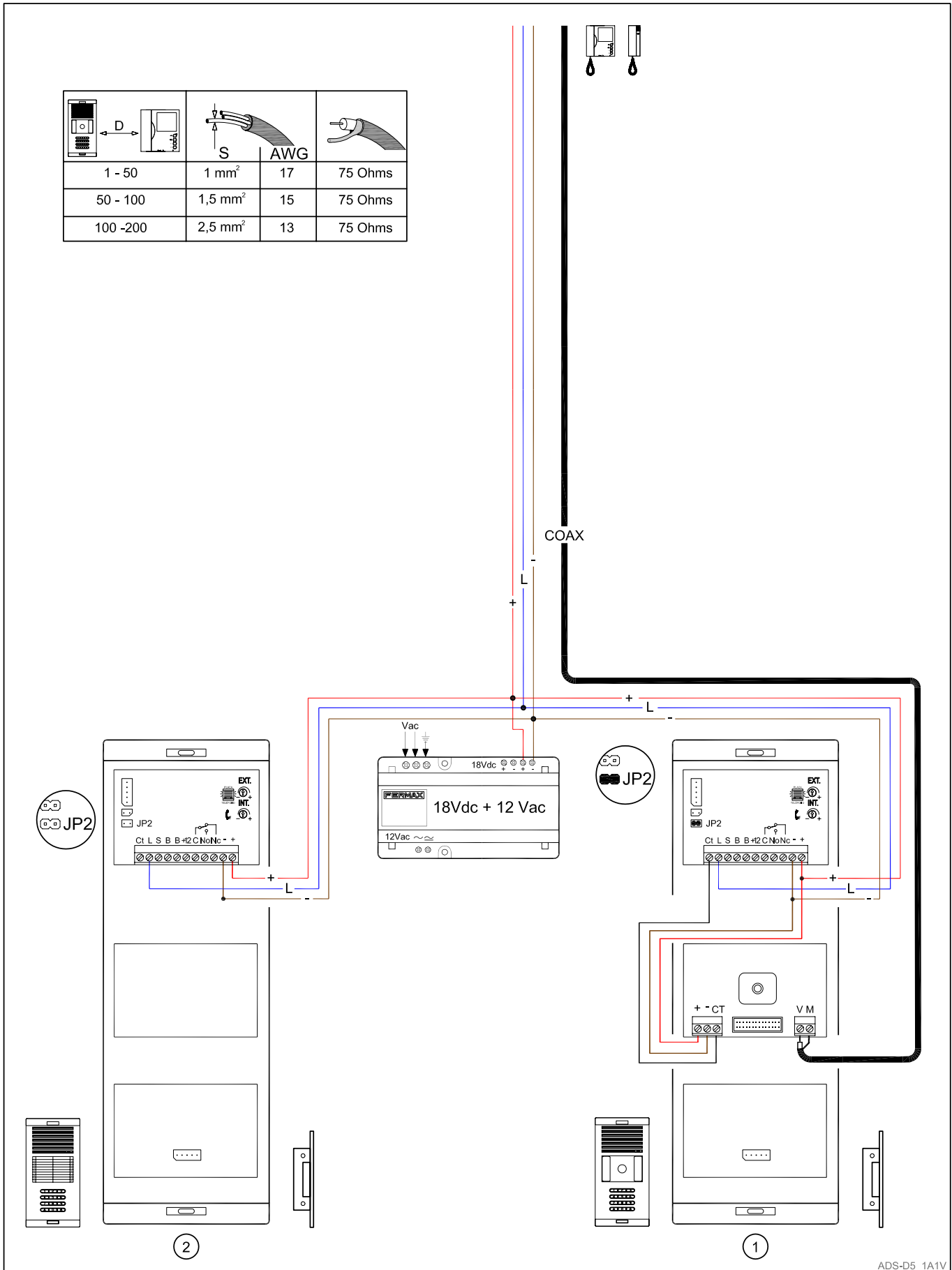
ADS DIRECT - VIDEO x 2

	S	AWG	
1 - 50	1 mm ²	17	75 Ohms
50 - 100	1,5 mm ²	15	75 Ohms
100 -200	2,5 mm ²	13	75 Ohms



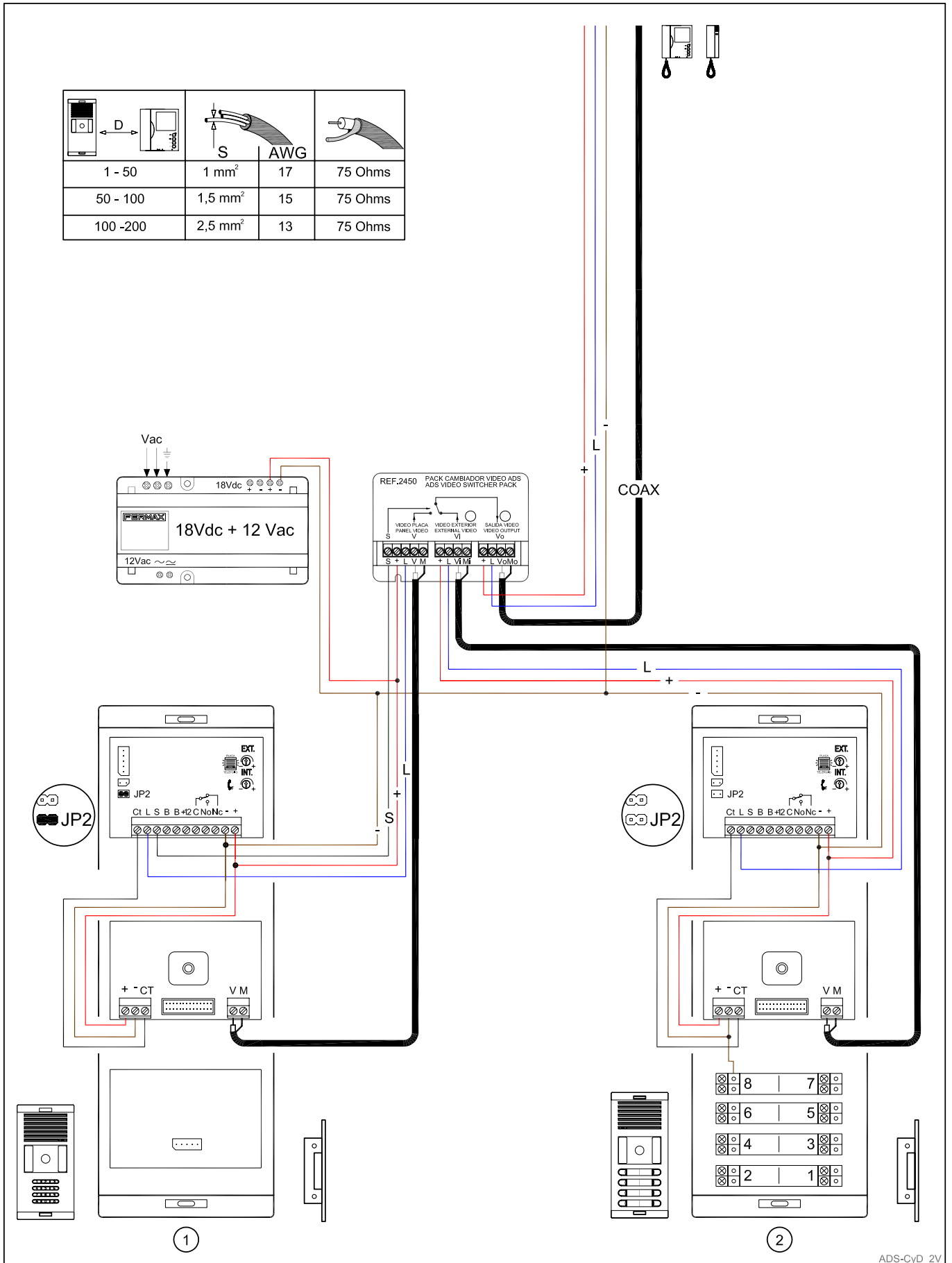
ADS DIRECT - AUDIO + VIDEO

	D	S	AWG	
1 - 50			17	75 Ohms
50 - 100			15	75 Ohms
100 - 200			13	75 Ohms

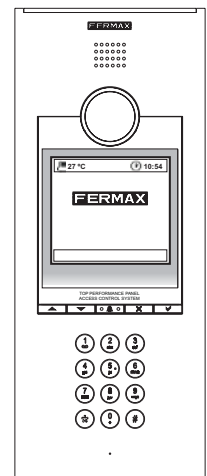


ADS CITY + DIRECT - VIDEO

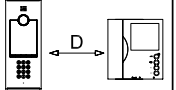
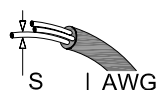
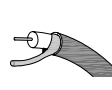
	S	AWG	
1 - 50	1 mm ²	17	75 Ohms
50 - 100	1,5 mm ²	15	75 Ohms
100 -200	2,5 mm ²	13	75 Ohms

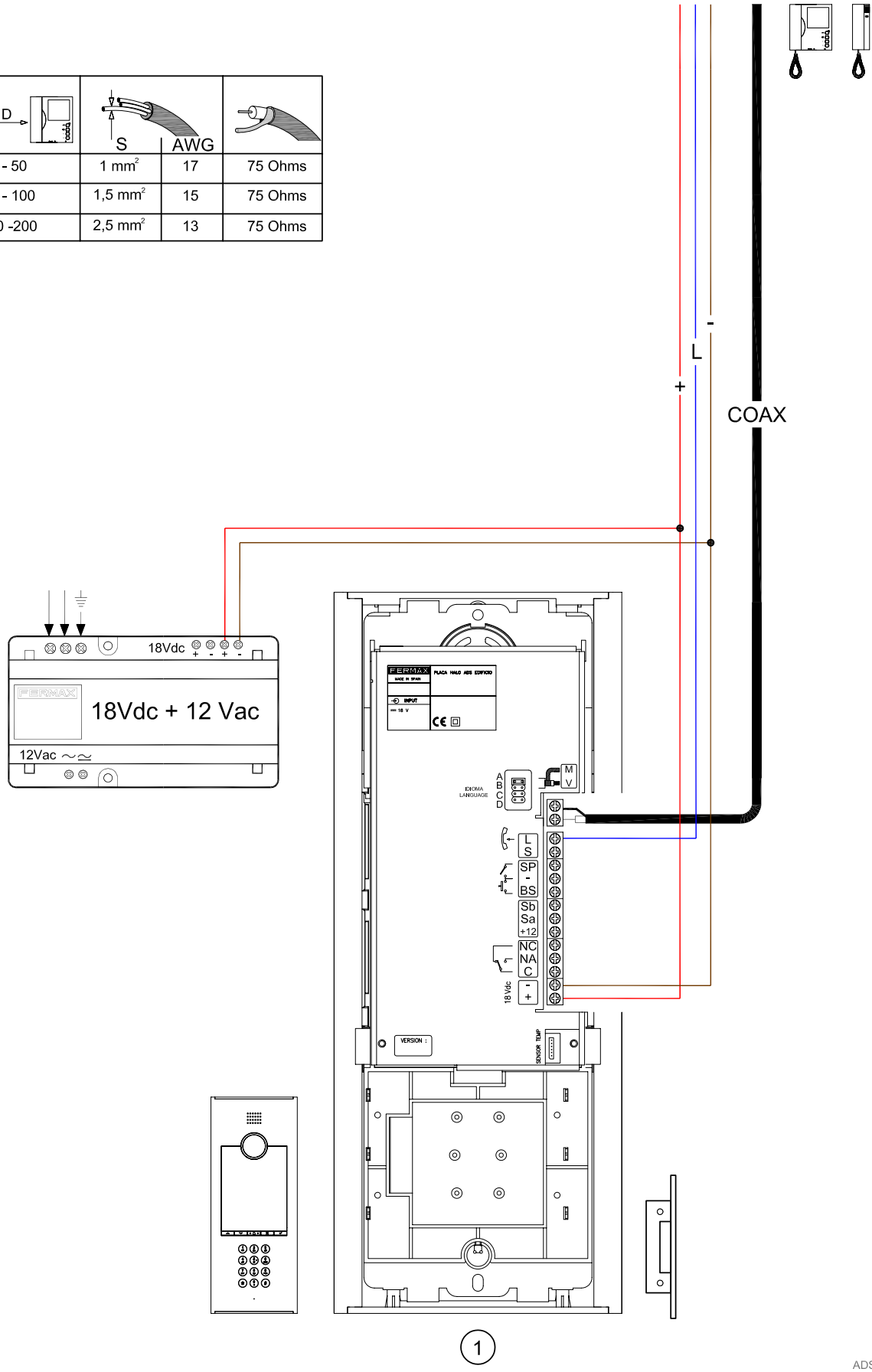


**ESQUEMAS DE CALLE ADS HALO
 OUTDOORS HALO ADS DIAGRAMS
 SCHÉMAS DE RUE ADS HALO
 ADS HALO SCHALTPLÄNE
 ESQUEMAS DE RUA ADS HALO**



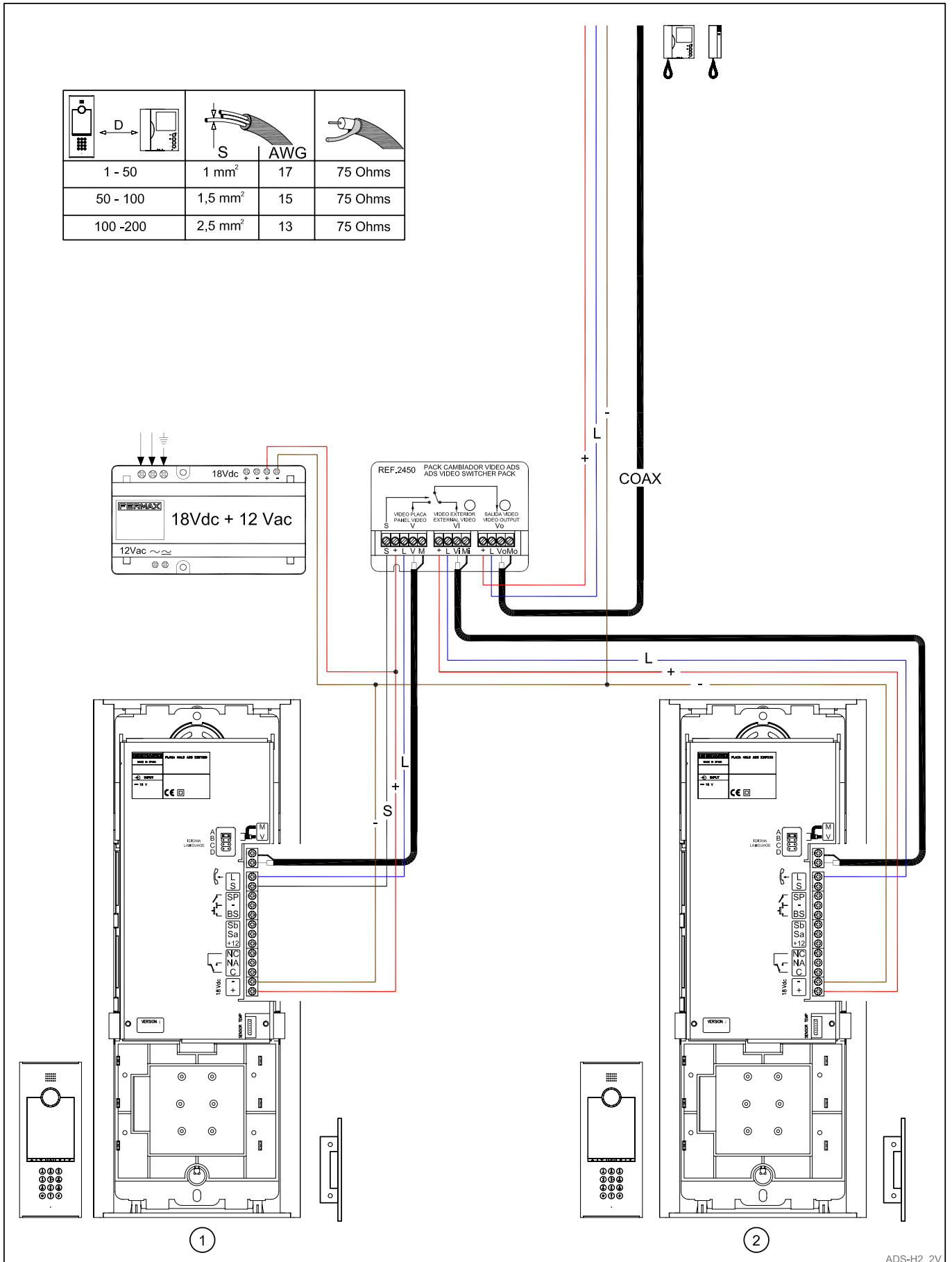
ADS HALO - VIDEO

				
1 - 50		1 mm ²	17	75 Ohms
50 - 100		1,5 mm ²	15	75 Ohms
100 - 200		2,5 mm ²	13	75 Ohms



ADS HALO - VIDEO x 2

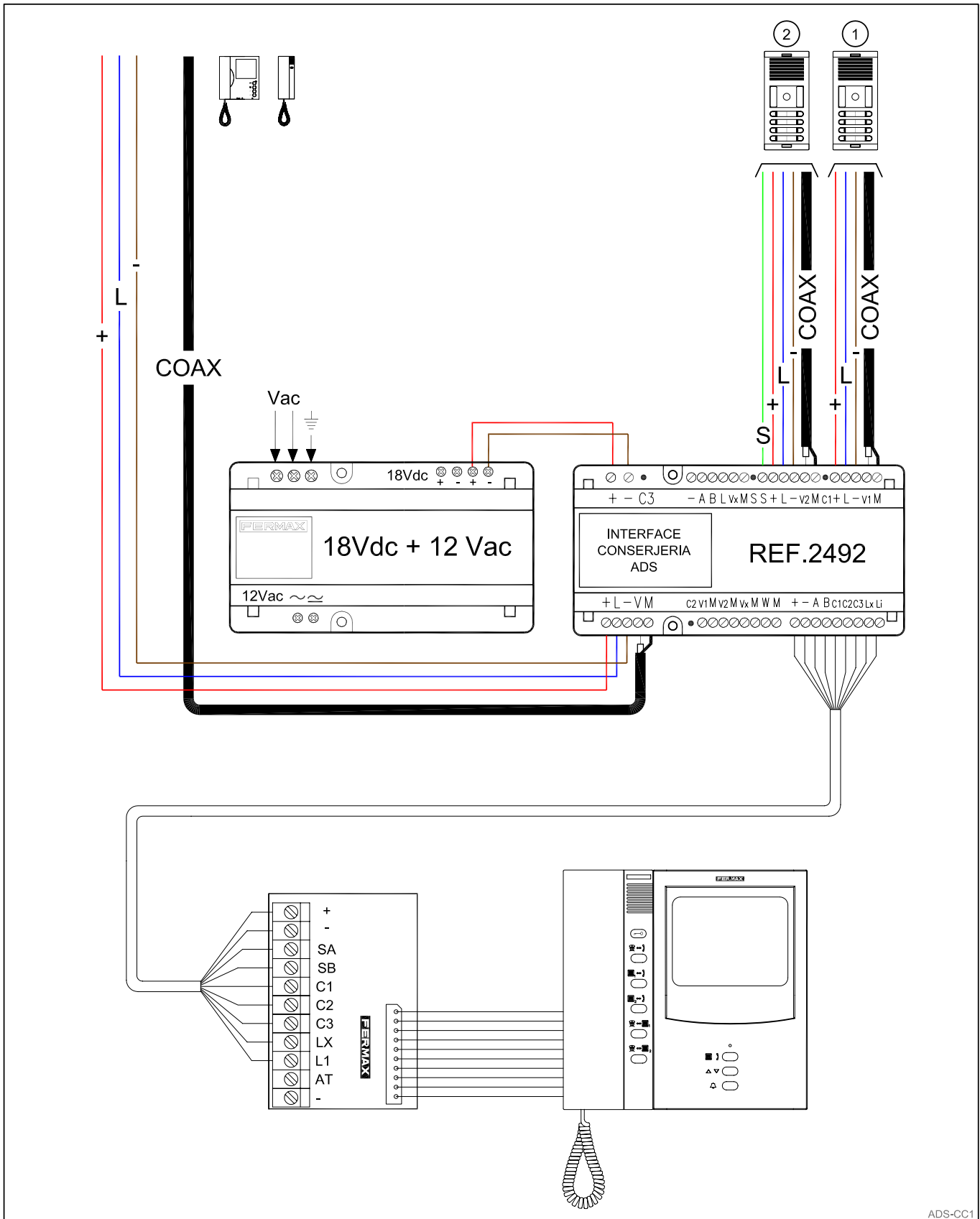
	S	AWG	
1 - 50	1 mm ²	17	75 Ohms
50 - 100	1,5 mm ²	15	75 Ohms
100 -200	2,5 mm ²	13	75 Ohms

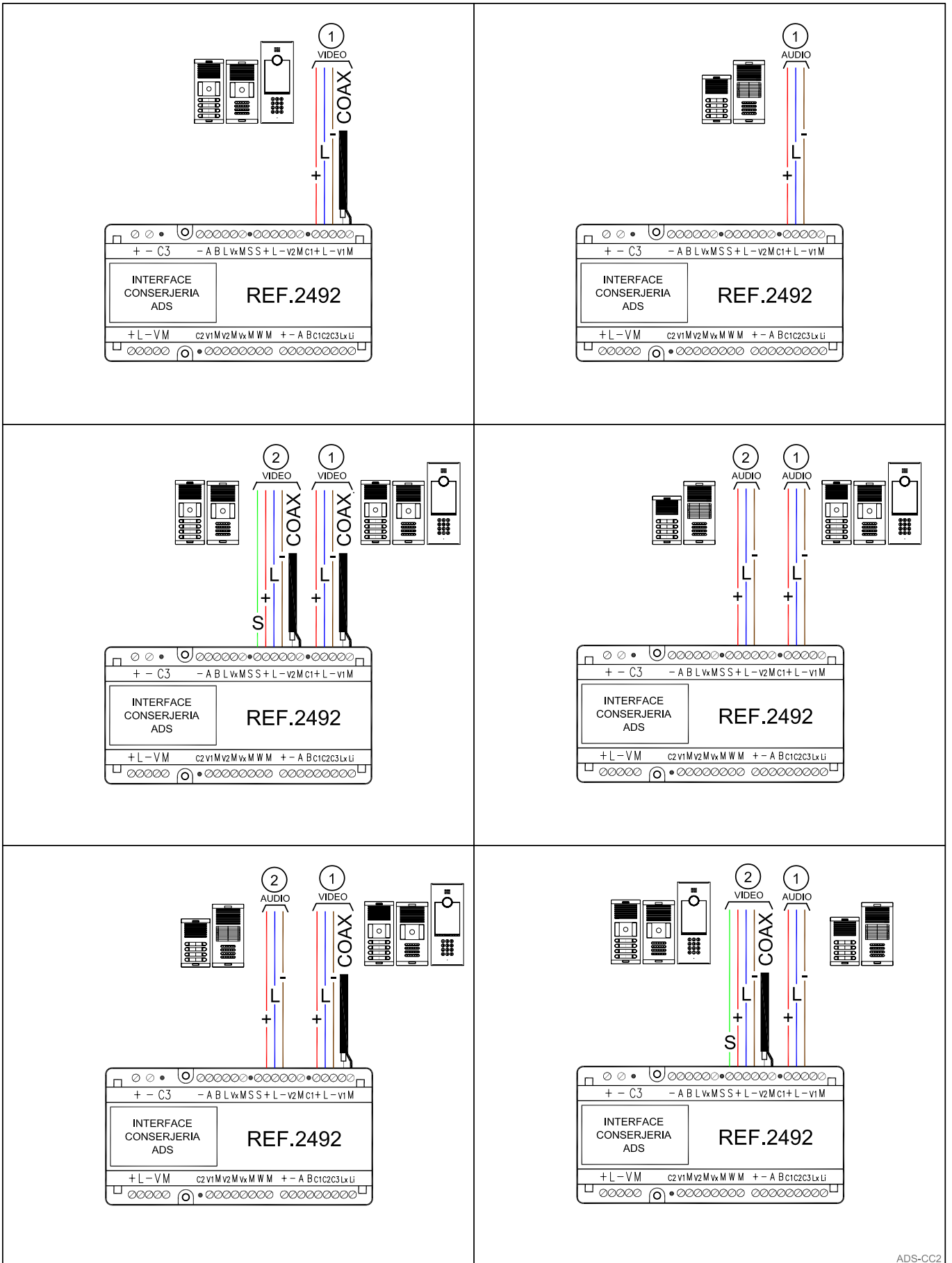


**CONSERJERÍA
GUARD UNIT
CONCIERGERIE
PORTIERZENTRALE
PORTARIA**

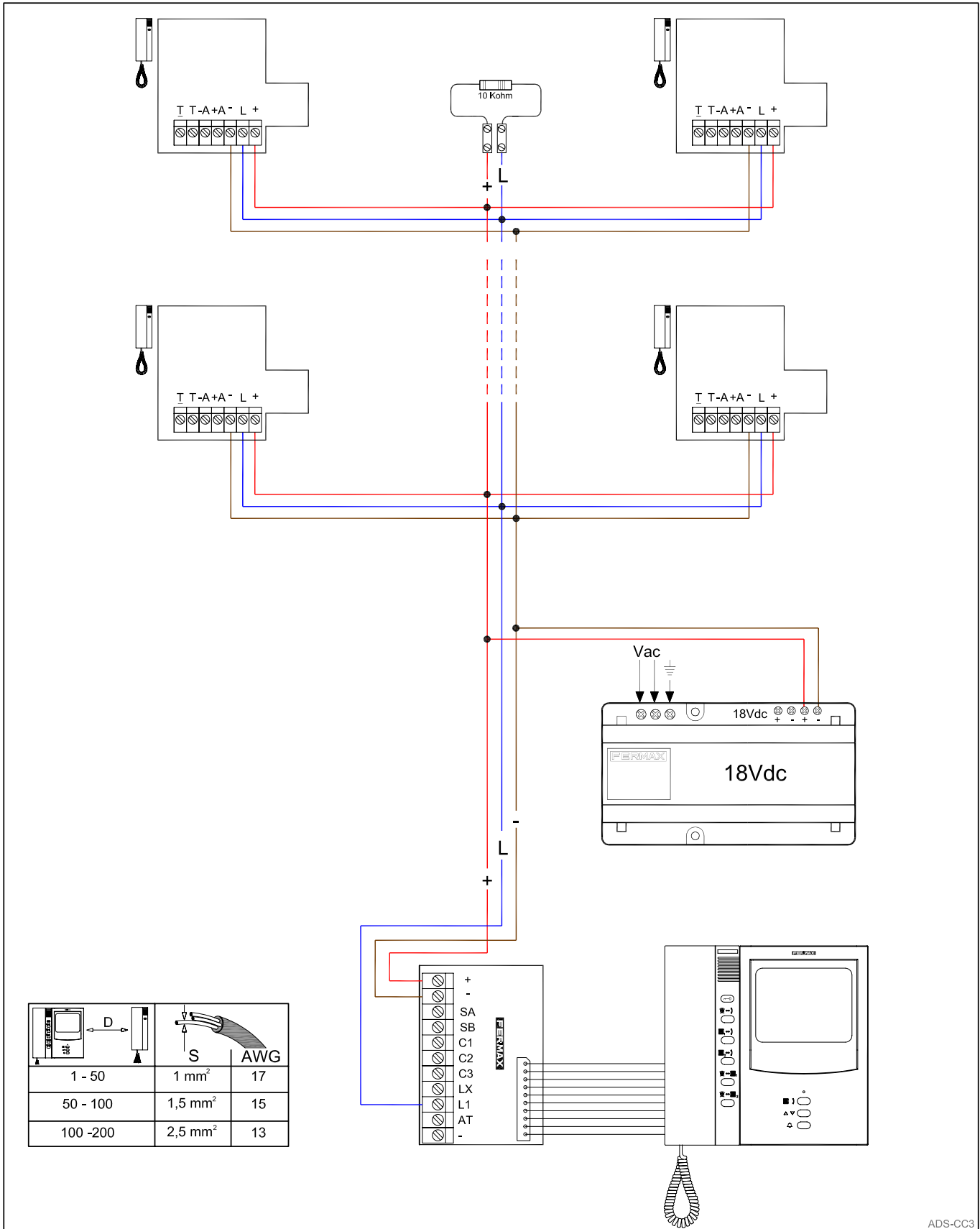


ESQUEMA GENERAL CONSERJERÍA ADS - ADS CONCIERGE GENERAL DIAGRAM
 SCHEMA GENERAL CONCIERGERIE ADS - ADS PORTIERZENTRALE GENERALDIAGRAM
 ESQUEMA GERAL PORTARIA ADS

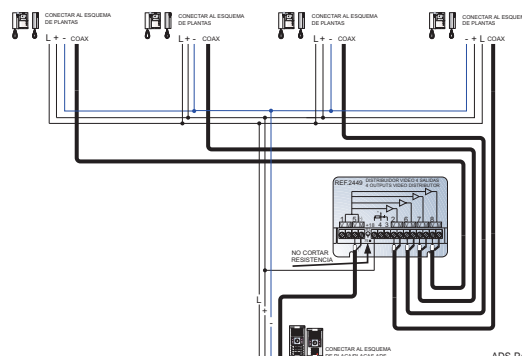




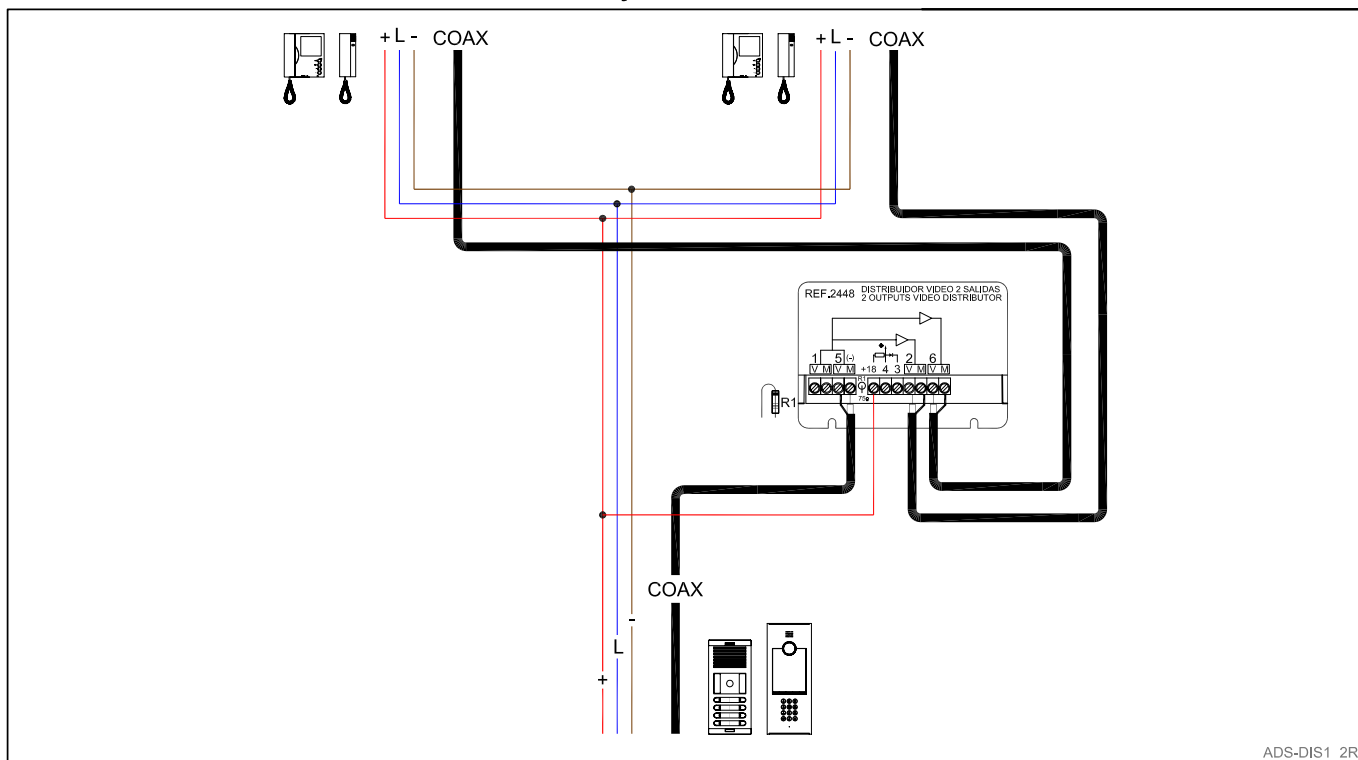
INTERCOMUNICACIÓN - INTERCOMMUNICATION INTERCOMMUNICATION - INTERNSPRECHEN INTERCOMUNICAÇÃO



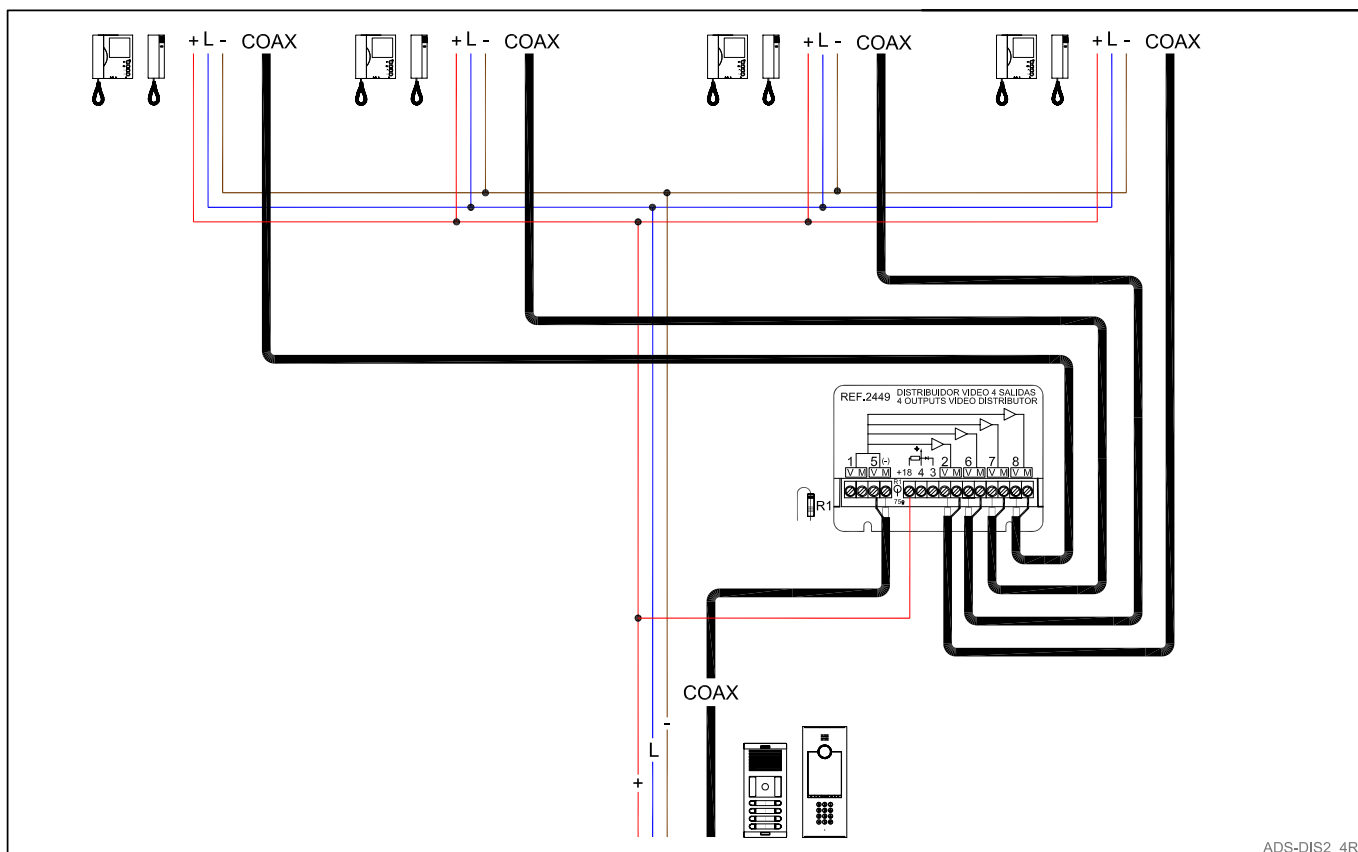
**ESQUEMAS DE DISTRIBUCIÓN EN RAMALES
 BRANCH DISTRIBUTION DIAGRAMS
 SCHÉMAS DE DISTRIBUTION RAMIFIÉE
 VERTEILUNG IN BRANCHEN - SCHALTPLÄNE
 ESQUEMAS DE DISTRIBUÇÃO EM RAMAIS**



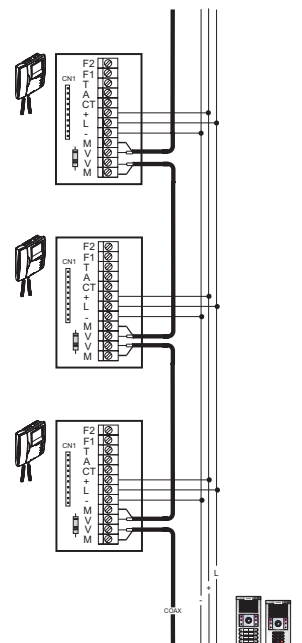
DISTRIBUCIÓN A 2 RAMALES - 2 BRANCHES DISTRIBUTION
 DISTRIBUTION 2 COLONNES - VERTEILUNG IN 2 BRANCHEN
 DISTRIBUIÇÃO POR 2 RAMAIS

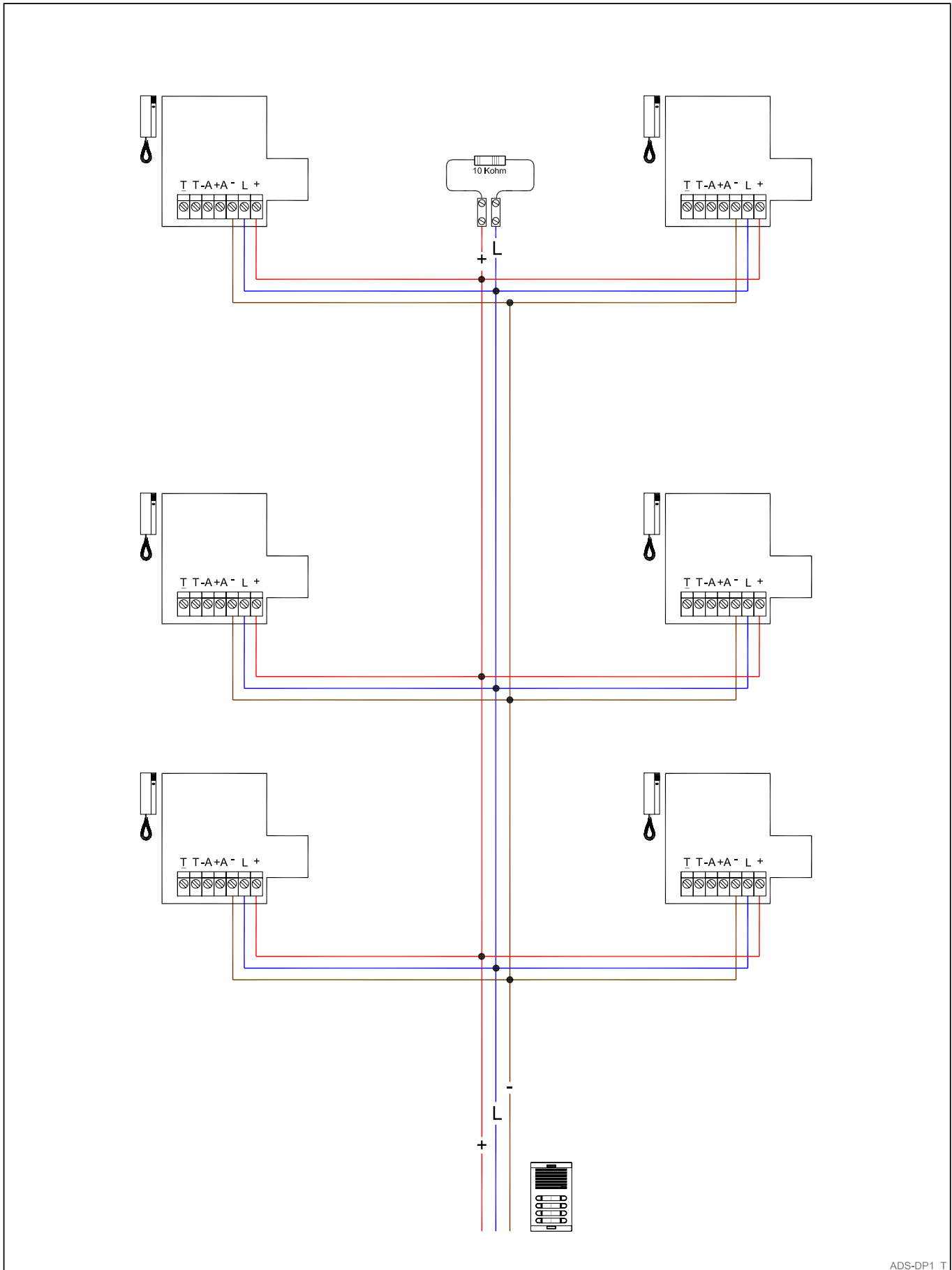


DISTRIBUCIÓN A 4 RAMALES - 4 BRANCHES DISTRIBUTION
 DISTRIBUTION 4 COLONNES - VERTEILUNG IN 4 BRANCHEN
 DISTRIBUIÇÃO POR 4 RAMAIS

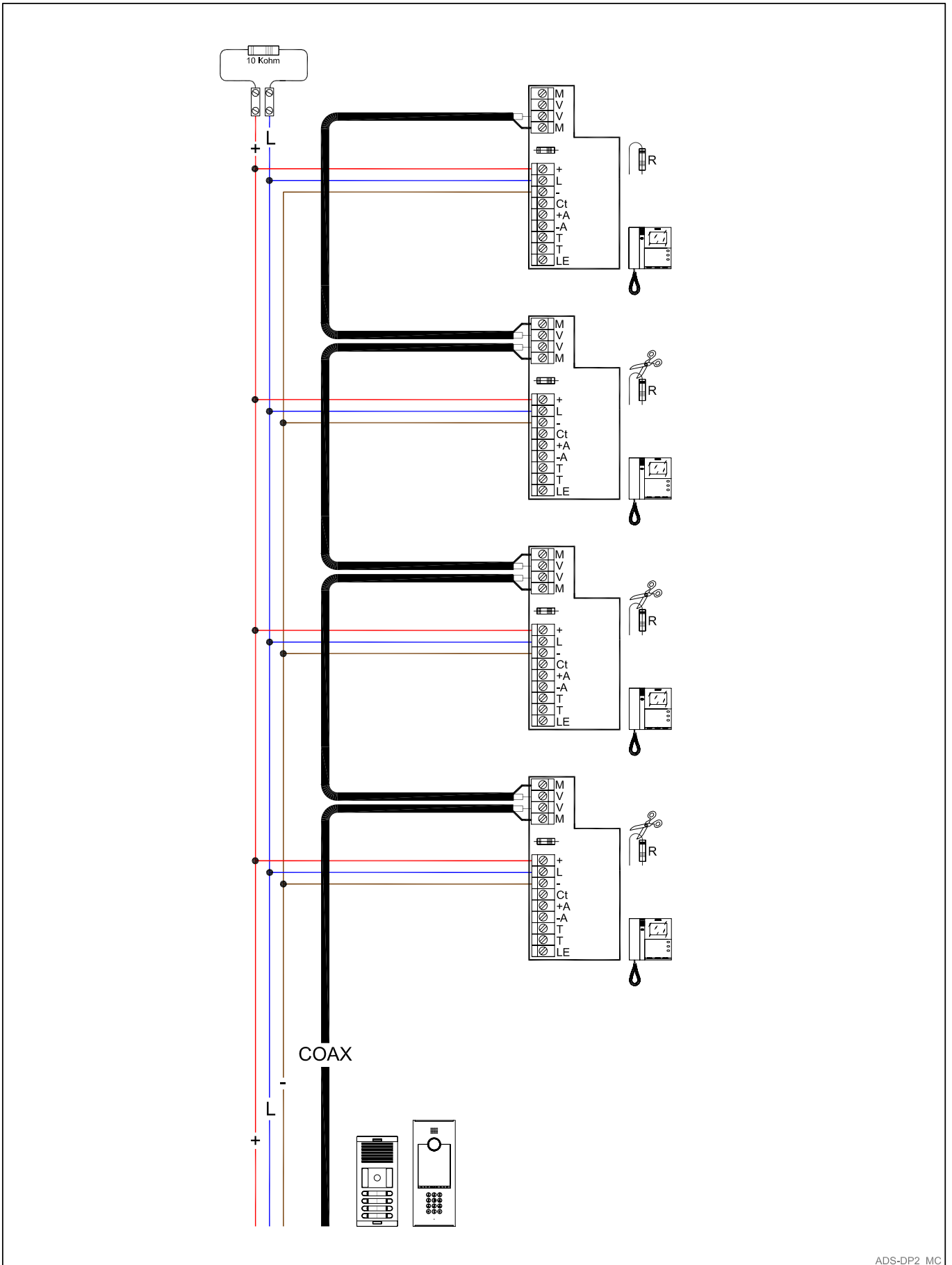


**ESQUEMAS DE PLANTA
FLOORS DIAGRAMS
SCHÉMAS D'ÉTAGES
ETAGEN - SCHALTPLÄNE
ESQUEMAS DE PISOS**

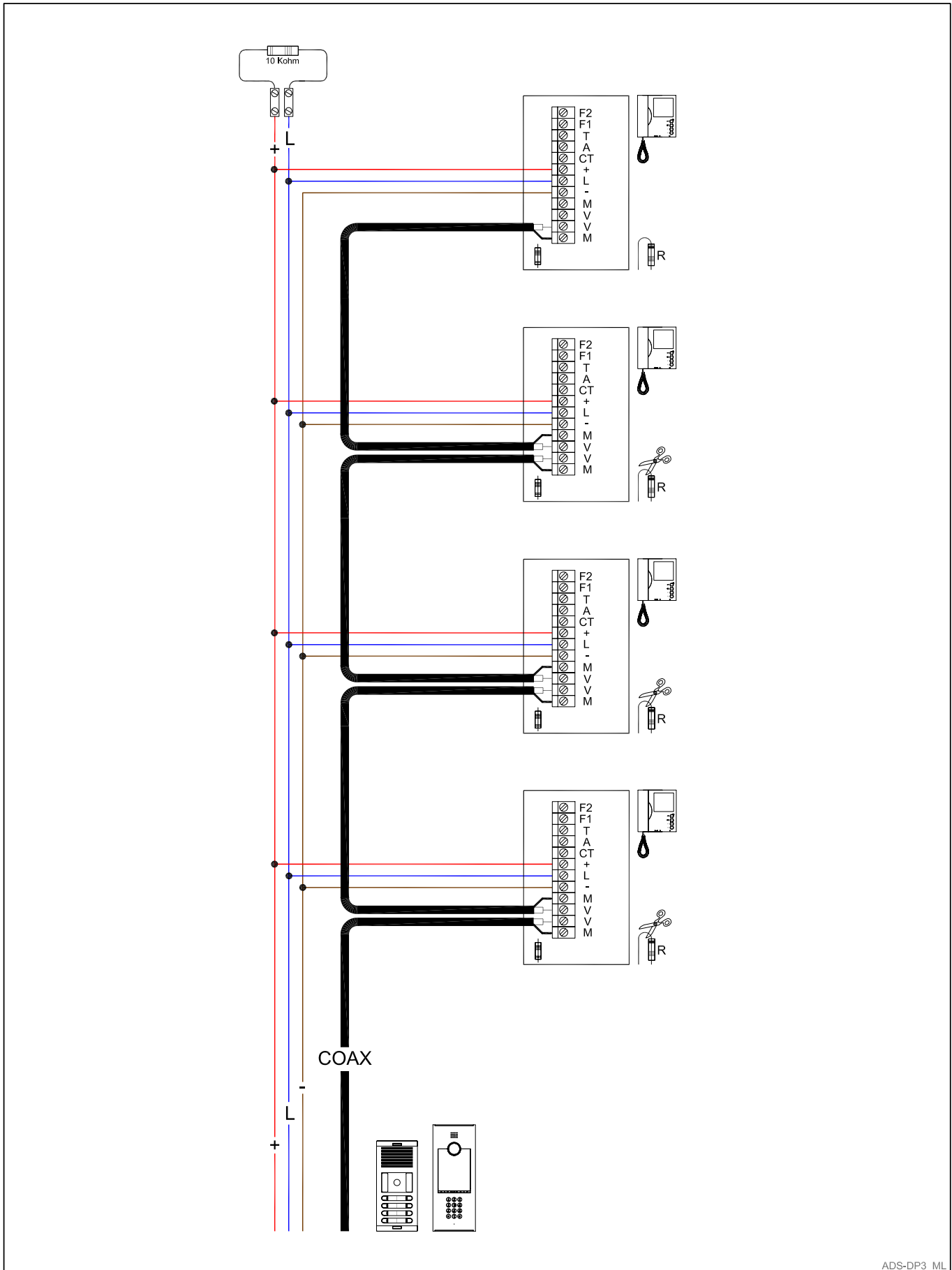




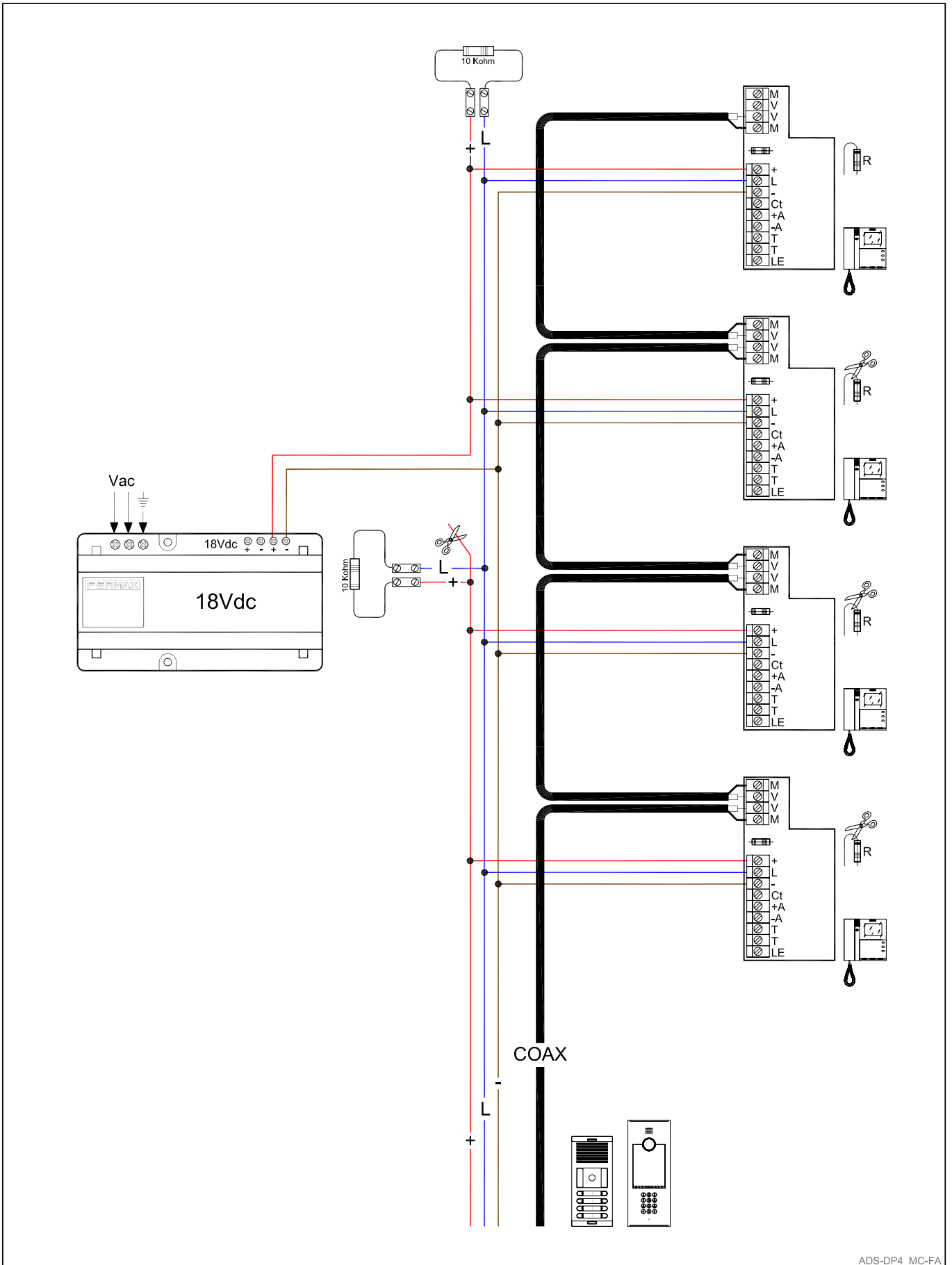
CITYMAX



LOFT



CITYMAX



LOFT

