

Progressive Technology Enhanced Cameras



3 Megapixel Full HD Network Dome Camera SND-7082/7082F

The SND-7082 is designed for advanced surveillance solutions incorporating Full 3megapixel HD resolution. Progressive technologies incorporated into SNB-7002 include advanced WDR (Wide Dynamic Range) to provide superior images in high contrast scenes, Simple Focus to improve image quality when switching between color and B/W modes, SSSDR (Samsung Super Dynamic Range) to enhance color reproduction and resolution and reduce signal noise. Additional functions include: face detection - prioritizing faces in an image, audio detection - alerting the system to events beyond the camera's field of view, ROI (Region of Interest) - spotlighting the critical areas in the camera's field of view, and True Day/Night for superior images in the dark.

- Max 3M (2048 x 1536), 16 : 9 Full HD (1080p) resolution
- H.264 & MJPEG dual codec
- 3 ~ 8.5mm (2.8x) motorized varifocal lens • Simple Focus
- Advanced WDR (96dB) / 30fps@2MP WDR
- Face Detection, Audio Detection
- UPnP (Auto Port Forwarding)

3 Megapixel Full HD Network Dome Camera

SND-7082/7082F



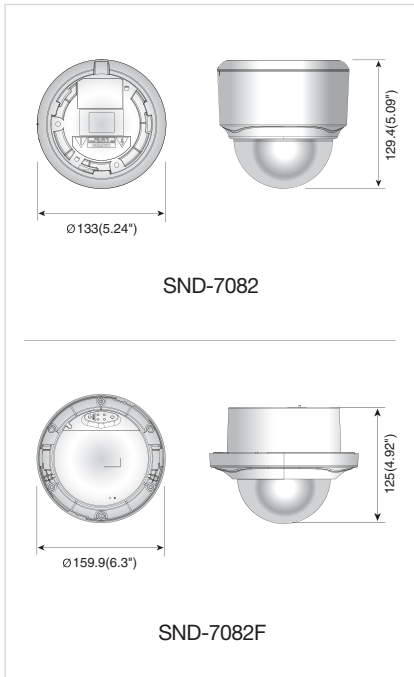
Specifications

SND-7082(F)N/P

VIDEO	
Imaging Device	1/3" 3.1M PS CMOS
Total Pixels	2,064 (H) x 1,578 (V)
Effective Pixels	2,052 (H) x 1,536 (V)
Scanning System	Progressive
Min. Illumination	Color : 0.7 Lux (F1.2, 50IRE), 0.011 Lux (Sens up 60X) B/W : 0.07 Lux (F1.2, 50IRE), 0.001 Lux (Sens up 60X)
S / N Ratio	50dB
Video Out	CVBS : 1.0 Vp-p / 75Ω composite, 704 x 480(N), 704 x 576(P), for installation
LENS	
Focal Length (Zoom Ratio)	3 ~ 8.5mm (2.8x) motorized varifocal
Max. Aperture Ratio	F1.2
Angular Field of View	H : 87.3° (Wide) ~ 31.2° (Tele), V : 64.5° (Wide) ~ 23.4° (Tele)
Min. Object Distance	0.5m (1.64ft)
Focus Control	Manual, Simple focus, Day&Night
Lens Type	DC Auto Iris
Mount Type	Board-in type
PAN / TILT / ROTATE	
Pan Range	0° ~ 355°
Tilt Range	0° ~ 90°
Rotate Range	0° ~ 355°
OPERATIONAL	
Camera Title	Off / On (Displayed up to 15 characters)
Day & Night	Auto (ICR) / Color / B/W / External
Backlight Compensation	Off / BLC / HLC
Wide Dynamic Range	Off / On (96dB) 3M Mode : 20fps, 2M Mode : 30fps
Contrast Enhancement	SSDR (Samsung Super Dynamic Range) (Off / On)
Digital Noise Reduction	SSNRill (2D+3D Noise Filter) (Off / On)
Motion Detection	Off / On (4 Rectangular zones)
Privacy Masking	Off / On (1ea 4 Point Polygonal + 16ea Rectangular zones)
Sens-up (Frame Integration)	Off / Auto (2x~60x)
Gain Control	Off / Low / Midium / High
White Balance	ATW / AWC / Manual / Indoor / Outdoor
Electronic Shutter Speed	Auto / A.FLK / Manual (1/30 ~ 1/12,000sec)
Flip / Mirror	Off / On
Intelligent Video Analytics	Audio detection, Face detection, Scene change, Virtual line, Enter / Exit, Appear / Disappear
Alarm I/O	Digital I/O
Alarm Triggers	Motion detection, Video analytics, Sensor input
Alarm events	File upload via FTP, E-Mail / Notification via E-Mail, TCP / local storage (SD/SDHC) recording at Network disconnected External output
NETWORK	
Ethernet	RJ-45 (10/100BASE-T)
Video Compression Format	H.264 (MPEG-4 Part 10/AVC), MJPEG
Resolution	3M Mode - 2048 x 1536 / 1920 x 1080 / 1600 x 1200 / 1280 x 1024 / 1280 x 960 / 1280 x 720 / 1024 x 768 800 x 600 / 800 x 450 / 640 x 480 / 640 x 360 / 320 x 240 / 320 x 180 2M Mode - 1920 x 1080 / 1280 x 1024 / 1280 x 960 / 1280 x 720 / 1024 x 768 / 800 x 600 / 800 x 450 640 x 480 / 640 x 360 / 320 x 240 / 320 x 180
Max. Framerate	3M Mode - H.264 : Max 20fps at all resolutions MJPEG : 800 x 600 ~ 320 x 180 - 20 fps 1024 x 768 ~ 1920 x 1080 - 15 fps / 2048 x 1536 - 10 fps 2M Mode - H.264 : Max 30fps at all resolutions MJPEG : 800 x 600 ~ 320 x 180 - 30 fps 1024 x 768 ~ 1920 x 1080 : 15 fps
Smart Codec	Yes (Area based method)
Video Quality Adjustment	H.264 : Compression level, Target bitrate level control / MJPEG : Quality level control
Bitrate Control Method	H.264 : CBR or VBR / MJPEG : VBR
Streaming Capability	Multiple streaming (Up to 6 profiles)
Audio I/O	Mic/Line in , Line out
Audio Compression Format	G.711 u-law, G.726 (16Kbps, 24Kbps, 32Kbps, 40Kbps)
Audio Communication	Bi-directional
IP	IPv4, IPv6
Protocol	TCP/IP, UDP/IP, RTP (UDP), RTP (TCP), RTSP, NTP, HTTP, HTTPS, SSL, DHCP, PPPoE, FTP, SMTP, ICMP, IGMP, SNMPv1/v2c/v3 (MIB-2), ARP, DNS, DDNS, QoS, UPnP
Security	HTTPS (SSL) login authentication, Digest login authentication, IP address filtering, User access log, 802.1X authentication
Streaming Method	Unicast / Multicast
Max. User Access	10 users at unicast mode
Memory Slot	SD / SDHC memory slot
ONVIF Conformance	Yes
Webpage Language	English, French, German, Spanish, Italian, Chinese, Korean, Russian, Japanese, Swedish, Danish, Portuguese, Turkish, Polish, Czech, Rumanian, Serbian, Dutch, Croatian, Hungarian, Greek
Web Viewer	Supported OS : Windows XP / VISTA / 7, MAC OS X 10.7 or higher Supported Browser : Internet explorer 7.0 or higher, Firefox 9.0 or higher, Chrome 15.0 or higher, Safari 5.1 or higher
Central Management Software	NET-i viewer
ENVIRONMENTAL	
Operating Temperature / Humidity	-10°C ~ +55°C (+14°F ~ +131°F) / 20% ~ 80% RH
ELECTRICAL	
Input Voltage / Current	DC 12V, PoE (IEEE802.3af)
Power Consumption	Max. 9.0W (DC 12V, PoE (class3))
MECHANICAL	
Color / Material	Body : Ivory / Plastic
Dimension (WxH)	SND-7082 : Ø133 x 129.4 mm (Ø5.24" x 5.09") / SND-7082F : Ø159.9 x 125 mm (Ø6.3" x 4.92") (Flush mounting type)
Weight	SND-7082 : 635g (1.41lb) / SND-7082F : 700g (1.54lb)

Dimensions

Unit : mm (inch)



The Eco mark represents Samsung Techwin's will to create environment-friendly products, and indicates that the product satisfies the EU RoHS Directive.

Design and specifications are subject to change without notice.



SAMSUNG TECHWIN CO., LTD.

701, Sampyeong-dong, Bundang-gu, Seongnam-si, Gyeonggi-do Korea 463-400
Tel : +82-70-7147-8741~8749, 8752~8760 Fax : +82-31-8018-3745
www.samsungsecurity.com www.samsungcctv.com

SAMSUNG TECHWIN AMERICA Inc.

100 Challenger Rd. Suite 700 Ridgeland Park, NJ 07660
Toll Free : +1-877-213-1222 Direct : +1-201-325-6920
Fax : +1-201-373-0124
www.samsungcctvusa.com

SAMSUNG TECHWIN EUROPE LTD.

Samsung House, 1000 Hillwood Drive, Hillwood Business Park
Chertsey, Surrey, UNITED KINGDOM KT16 0PS
Tel : +44-1932-45-5300 Fax : +44-1932-45-5325

TIANJIN SAMSUNG TECHWIN OPTO-ELECTRONICS CO., LTD.

No.11 Wei 6 Street, Micro-Electronic Industrial Park
Jingang Road, Tianjin, P.R. CHINA 300305
Tel : +86-22-23887788 Fax : +86-22-23887788

■ DISTRIBUTED BY

