

Ceiling Mount Bracket

SADT-100EC NEW

SADT-101EC



Features

SADT-100EC

- Ceiling mount bracket
- Plastic material
- Applicable camera : SCC-641/643, SCC-C6403/C6405/C6407, SCC-C6475

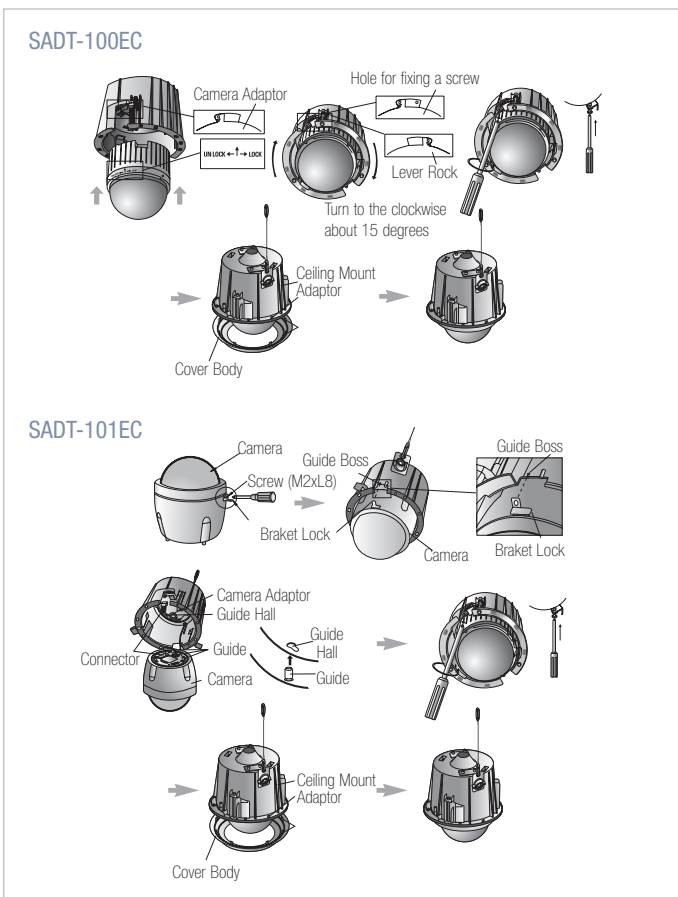
SADT-101EC

- Ceiling mount bracket
- Plastic material
- Applicable camera : SCC-C6433/C6435

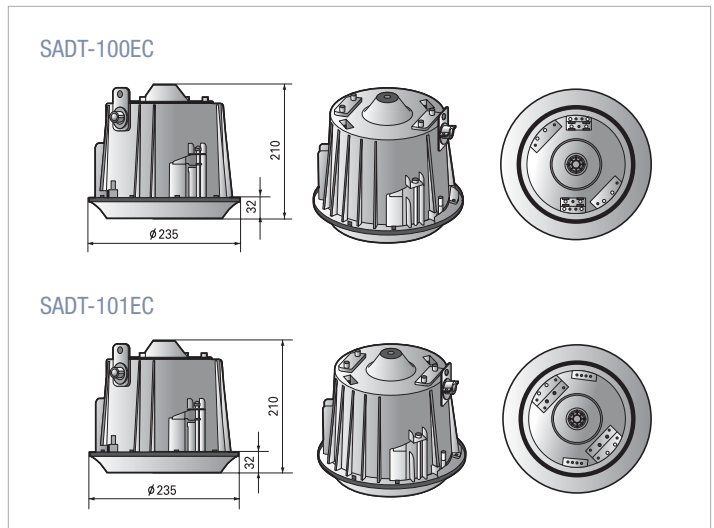
Specifications

Model	SADT-100EC	SADT-101EC
Materials	Plastic	
Dimensions	235(Ø) x 210(H)mm	
Weight	765g	792g
Operating Temperature	-10~+50°C	

Installation



Dimensions (unit:mm)



* Conditions for Installation : The installation place should be able to bear up to 4 times of the total product weight (about 16Kg).
 This product is to be used when the thickness of the ceiling board is less than 40mm.
 This product requires a minimum of 180mm space above the ceiling board.