



Summary

SHG-120/220, a housing used for the SmartDome camera in indoor or outdoor location, has an elegant design that is dustproof and waterproof.

Features

SHG-120

- For Indoor Use
- The place of installation should be able to bear up to 4 times the total product weight (about 32Kg).
- Aluminum material
- IP 66

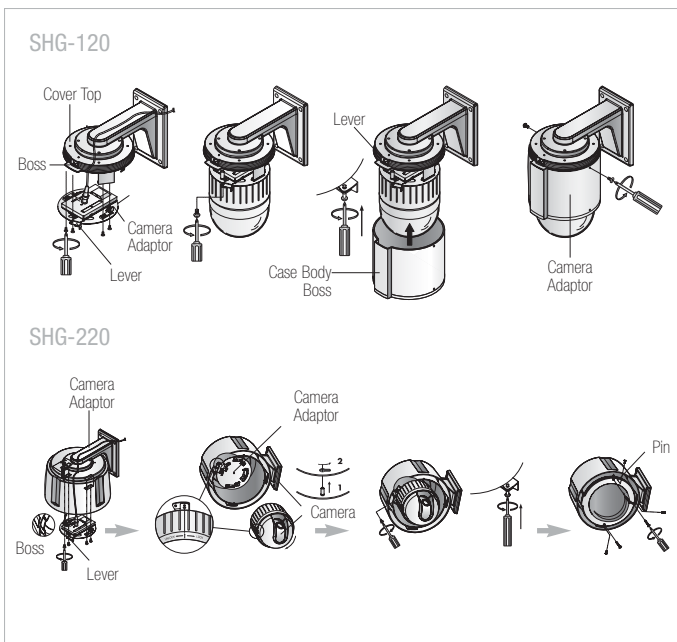
SHG-220

- For Outdoor Installation
- Aluminum material
- Built-in Fan/Heater Function
- IP 66

Specifications

Model	SHG-120	SHG-220
Dimensions	174(Ø)x187(H)mm	266mm(Ø)x273(H)mm
Weight	1.2Kg	3.7Kg
Operating Temperature	-10~+50°C	-40~+50°C
Operating Humidity	0~90%	0~100%
Fan Operating Temperature	-	45°C or high
Heater Operating Temperature	-	10°C or below
Accessories	Screw(BH M3xL8) 2EA	Screw(BH M3xL12) 3EA Pin 3EA Silicon Grease 5g Teflon Tape 1EA

Installation



Dimensions (unit:mm)

