

Description

The XT control panel is a Videofied wireless, battery operated, hybrid alarm system that is designed for residential and commercial security applications. The panel is designed to be mounted indoor but may be used for both indoor and outdoor protection. Outdoor applications include construction sites, cell towers, remote locations, storage and power substations. This product requires an available GPRS network.

The system gives you the choice of the following configuration options:

- > Multiple arming options: Standalone, Standalone with schedule, Xtender (Piggy-Back)
- > Multiple power configurations: Standalone Lithium power (up to 4 years battery life) or 12VDC with less expensive Alkaline batteries as backup.
- > Supports up to 24 Videofied wireless devices
- > 3 Programmable Inputs and 2 programmable outputs
- > Easy to access external antenna connectors for higher performance GPRS and RF radio antennas.

Supervised Wireless Technology

Videofied devices utilize patented S2View® - Spread Spectrum, Interactive, AES Encrypted Wireless technology, providing optimum signal integrity and security. Bi-directional RF communication paths between all system devices and the system control panel assure high signal reliability. Integrated antennas eliminate protruding wires or rods cumbersome to install and unsightly to consumers, and if damaged could lead to potential system communication problems.

The panel supervises every device (excluding the remote keyfob) to validate current open/close state, tamper condition, serial number, date of manufacture, firmware revision, and battery status.



Compatibility The XT GPRS works with all the following Videofied wireless devices:



Indoor MotionViewer - integrated PIR motion detector, night vision digital camera, infrared illuminators. MotionViewers detect intruders and capture a 10 second video of the intrusion which is sent to the panel wirelessly.



Outdoor Badge Reader with Prox-Tag - Allowing Arming/disarming of the system from outside the premises. The Badge Reader is compatible with MiFare format badges.



Door Contacts - detect door and window open/close activity. An external input allows a wired connection from standard security switches and detection devices outputs.



Outdoor MotionViewer - integrated PIR motion detector, night vision digital camera, infrared illuminators. MotionViewers detect intruders and capture a 10 second video of the intrusion which is sent to the panel wirelessly.



Interior Sirens - provide status beeps and alarm sounds throughout the premises where needed.



Exterior Sirens/Strobes - provide alarm sounds and visual identification of alarm site for responding authorities.



Smoke Sensor - enhances protection and uses advanced detection technology. The Smoke Sensor is totally wireless and an integrated addition the whole security system.



Remote Keyfobs - allow limited system operation and panic alarm capability in a portable, convenient package.

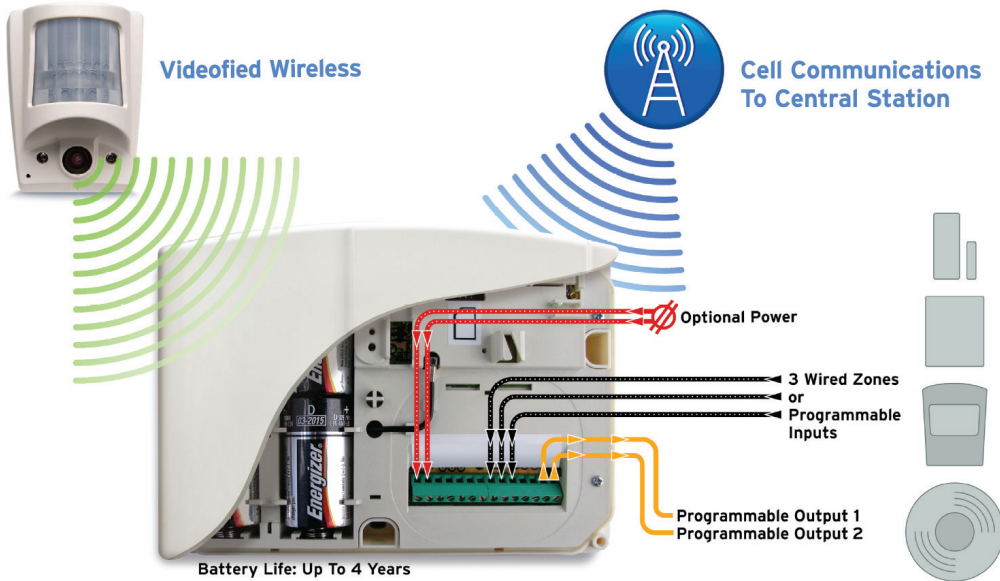
Features

- > Video Verification - captures 10 second, 320 x 240 resolution, 0 lux, 5 fps MPEG video. Approximate file size 220 kilobytes.
- > Up to 24 Wireless zones/devices
- > Mapping feature to trigger a video upon activation of an event or third party devices
- > Panic Alarm Video verification
- > Smoke Alarm Video verification
- > 3 programmable inputs
- > 2 programmable outputs to activate third party devices on site (smoke cloak, gates, lights, strobes, sirens, etc...)
- > 2 dedicated on-board connectors to extend the GPRS coverage and the radio coverage
- > 4 Areas with 2 special arming modes and partitions
- > 219 user codes or badges
- > On site configuration/Programming with the Keypad
- > 4.000 Events history buffer
- > Multiple power option, 12VDC with Alkaline batteries for back-up to 1 year or Lithium Batteries only for up to 4 year
- > Built-in GPRS communicator for primary or backup alarm communication to monitoring center.

Stand-Alone Mode

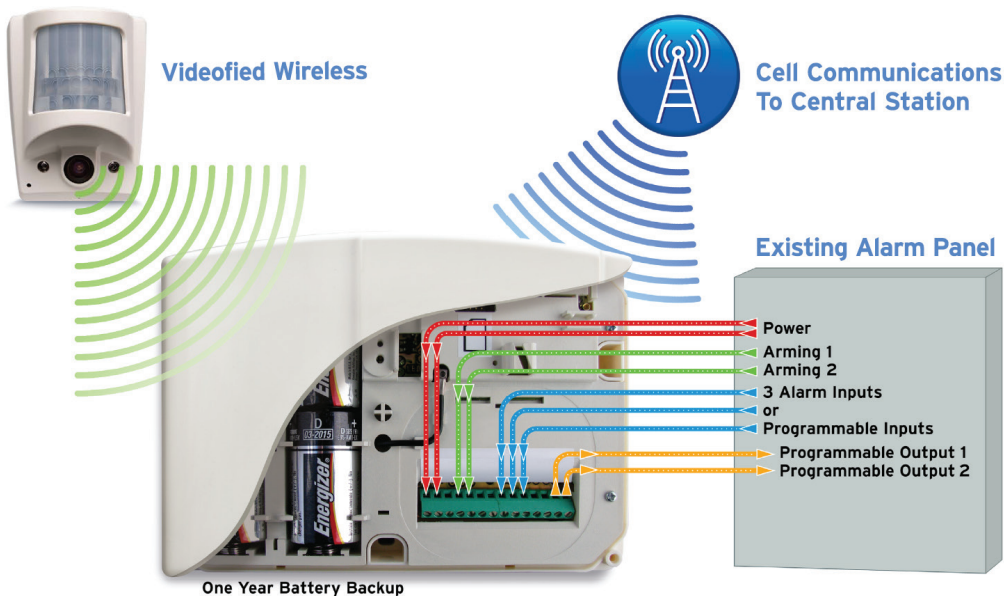
In this Mode, the XT control panel works as standard hybrid alarm system with 25 wireless Videofied devices, 3 programmable Inputs and 2 programmable outputs.

It is a full stand-alone alarm system.



XTender Mode

In this Mode, the XT control panel works as an extension of your existing alarm system. It will enhance it to Videofied for video verification and can also work as a GPRS cell back-up.



Electrical Data

Power requirements (Option 1)	12V DC / 2A
Back up	4 Alkaline 1.5V, D size, LR20
Backup Time (External power failure)	2 months
Power requirements (Option 2)	4 SAFT LSH 20 Batteries
Battery life	4 years
RF technology	S ² View®
Radio type	Spread Spectrum Bidirectional RF
Operating frequency	915 MHz
Transmission security	AES algorithm encryption
Radio jam detection	Yes
Supervision	Yes
Antenna	Embedded or External
Tamper detection	Wall and cover tamper detection
Programmable Wired Inputs	3
Programmable Wired Outputs	2
Arming Wired Inputs	2
Dry contact option	NO
Inputs voltage	12VDC (15V max)
Inputs current	3 mA max
Programmable Wired Inputs	3
Dry contact	Yes
Inputs voltage	12VDC (15V max)
Programmable Wired Outputs	2
Max switching voltage	220VDC / 250VAC
Max switching current	4A
Max switching power	120VA
Programming	Alphanumeric Keypads or Frontel remote control Software
Devices per system	25 per system
Access codes	20 maximum
Installer codes	One (for system programming only)
Security levels	3
Arming modes :	2
Areas	4
Communication formats	GPRS
Protocols	Frontel

Electrical Data

Communication formats	IP
Communicator type	GPRS cell
IP stack	IP, TCP/IP
Remote maintenance	Frontel Downloader protocol only
Video transmission	By Frontel protocol to central monitoring station
Video format	MPEG-1
Video file size	220 Kbytes
Video framing	5 frames/second
Image format	JPEG
Image size	320 x 240 pixels
History/Event Log	4,000 events stored in flash memory
Operating temperature	0°/+40°C (32°/104°F)
Maximum relative humidity	70%, non-condensing
Certifications	FCC (XT610)/ UL 1023 (Applied for)

Physical Data

Material	ABS—ULV0
Dimensions	225 mm x 180 mm x 55mm (LxWxD):9in. x 7in. x 2-1/6in.
Weight	520gr (without batteries) / 1600gr (with batteries)

Installation/Mounting

Control Panel/Base	Two screws secure control panel cover to base; Three screws secure control panel base to the wall
External antennas	2 integrated MMCX connectors to extend the GPRS and RF range

FCC Regulatory Information for USA and CANADA

FCC Part 15.21 Changes or modifications made to this equipment not expressly approved by RSI VideoTechnologies may void the FCC authorization to operate this equipment.

FCC Part 15.105 Class B

This equipment has been tested and found to comply with the limits for a Class B digital device, pursuant to Part 15 of the FCC Rules. These limits are designed to provide reasonable protection against harmful interference in a residential installation. This equipment generates, uses and can radiate radio frequency energy and, if not installed and used in accordance with the instructions, may cause harmful interference to radio communications. However, there is no guarantee that interference will not occur in a particular installation. If this equipment does cause harmful interference to radio or television reception, which can be determined by turning the equipment off and on, the user is encouraged to try to correct the interference by one or more of the following measures:

- Reorient or relocate the receiving antenna.
- Increase the separation between the equipment and receiver.
- Connect the equipment into an outlet on a circuit different from that to which the receiver is connected.
- Consult the dealer or an experienced radio/TV technician for help.

Radio frequency radiation exposure information according 2.1091 / 2.1093 / OET bulletin 65

This equipment complies with FCC radiation exposure limits set forth for an uncontrolled environment. This equipment should be installed and operated with minimum distance of 20 cm between the radiator and your body.

This transmitter must not be co-located or operating in conjunction with any other antenna or transmitter.

This device complies with Part 15 of the FCC Rules and with RSS-210 of Industry Canada.

Operation is subject to the following two conditions:

- (1) This device may not cause harmful interference, and
- (2) This device must accept any interference received, including interference that may cause undesired operation.

EMEA SALES

23, avenue du Général Leclerc
92340 BOURG-LA-REINE
FRANCE
E-Mail : emeasales@rsivideotech.com

North American Headquarters

1375 Willow Lake Blvd, Suite 103
Vadnais Heights, MN 55110
USA
E-Mail : usasales@rsivideotech.com

