

DS-2CD2110-(I)



Key Features

- Up to 1.3 megapixel (1280 × 960) resolution
- Standard video compression with high compression ratio, ROI (region of interest) encoding
- Progressive scan CMOS, capture motion video without incised margin
- Support dual stream, and the sub-stream for mobile surveillance
- High-performance and long service life Infrared LED, up to 30 meters IR range
- IR cut filter with auto switch
- PoE (Power over Ethernet)
- Ingress Protection level: IP66
- Electronic shutter for different surveillance environments
- Impact Protection: IEC60068-2-75 test, Eh, 20J; EN50102, up to IK10
- Other functions: alarm, mirror, etc
- Support intrusion detection and line crossing detection
- Support VCA, which is compatible with NVR for the second time of video searching and analysing

Specification

Model	DS-2CD2110-(I)
Parameter	1.3 Megapixel CMOS Vandal-proof Network Dome Camera
Camera	
Image Sensor	1/3" Progressive Scan CMOS
Min. Illumination	0.01Lux @ (F1.2, AGC ON) ,0 Lux with IR 0.028Lux @ (F2.0, AGC ON) ,0 Lux with IR

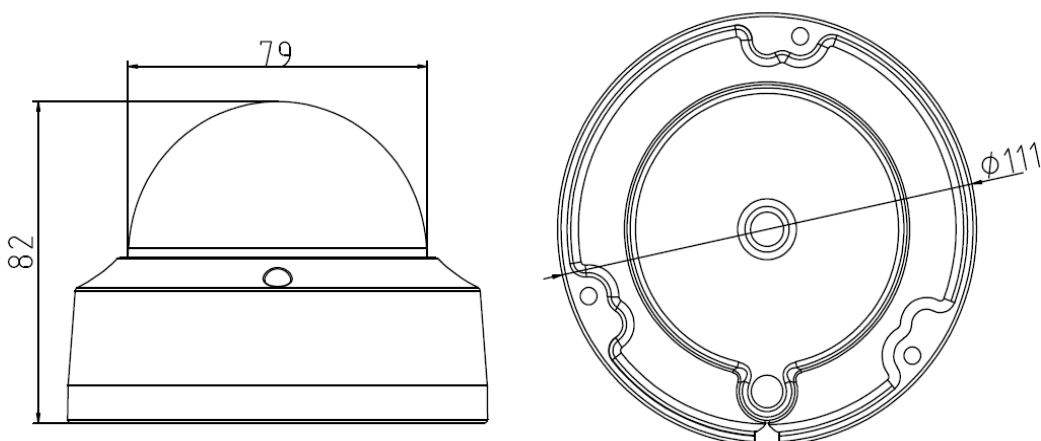
Shutter Speed	1/3 s to 1/100,000 s
Lens	4mm@ F2.0, Angle of view: 73.1° (2.8mm, 6mm optional)
Lens Mount	M12
Day & Night	IR cut filter with auto switch
Digital Noise Reduction	3D DNR
Wide Dynamic Range	Digital WDR
Angle Adjustment	Pan:0° - 355°, Tilt: 0° - 65°
Compression Standard	
Video Compression	H.264/ MJPEG
H.264 Type	BaselLine Profile/Main Profile
Video Bit Rate	32Kbps~8Mbps
Dual Stream	Yes
Image	
Max. Resolution	1280 x 960
Frame Rate	50 Hz: 25 fps (1280 × 960), 25 fps (1280 x 720), 25 fps (704 x 576), 25 fps (640 x 480) 60 Hz: 30 fps (1280 × 960), 30 fps (1280 x 720), 30 fps (704 x 576), 30 fps (640 x 480)
Image Settings	Rotate mode, Saturation, Brightness, Contrast adjustable by client software or web browser
Backlight compensation	Yes, zone optional
ROI	Support
Network	
Network Storage	NAS (Support NFS,SMB/CIFS)
Alarm Trigger	Line Crossing, Intrusion detection, Motion detection, Dynamic analysis, Tampering alarm
Protocols	TCP/IP,ICMP,HTTP,HTTPS,FTP,DHCP,DNS,DDNS,RTP,RTSP,RTCP, PPPoE,NTP,UPnP,SMTP,SNMP,IGMP,802.1X,QoS,IPv6,Bonjour
Security	User Authentication, Watermark
Standard	ONVIF, PSIA, CGI, ISAPI
Interface	
Communication Interface	1 RJ45 10M/100M Ethernet interface
General	
Operating Conditions	-30 °C – 60 °C (-22 °F – 140 °F) Humidity 95% or less (non-condensing)
Power Supply	12 V DC ± 10% , PoE (802.3af)

Power Consumption	Max. 5 W (Max. 7 W with IR cut filter on)
Ingress Protection level	IP66
IR Range	30 meters
Impact Protection	IEC60068-2-75Eh, 20J; EN50102, up to IK10
Dimensions	$\Phi 111 \times 82$ (4.4" \times 3.2")
Weight	500g (1.1 lbs)

Order Models

DS-2CD2110, DS-2CD2110-I

Dimensions



Accessories



Inclined ceiling mount
DS-1259ZJ



Wall mount
DS-1272ZJ-110